

# HYUNDAI

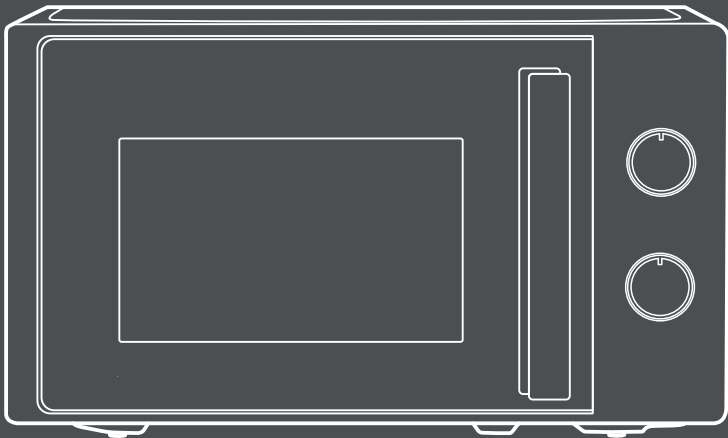
## User Manual

---

Model name    HMW2701  
                      HMW2700N



GENUINE PRODUCT OF  
HYUNDAI CORPORATION





# HYUNDAI

Microwave Oven

INSTRUCTION MANUAL

MODEL: HMW2701/  
HMW2700N

**Read these instructions carefully before using your microwave oven, and keep it carefully.**

If you follow the instructions, your oven will provide you with many years of good service.

**SAVE THESE INSTRUCTIONS CAREFULLY**

# PRECAUTIONS TO AVOID POSSIBLE EXPOSURE TO EXCESSIVE MICROWAVE ENERGY

(a) Do not attempt to operate this oven with the door open since this can result in harmful exposure to microwave energy. It is important not to break or tamper with the safety interlocks.

(b) Do not place any object between the oven front face and the door or allow soil or cleaner residue to accumulate on sealing surfaces.

(c) **WARNING:** If the door or door seals are damaged, the oven must not be operated until it has been repaired by a competent person.

## ADDENDUM

If the apparatus is not maintained in a good state of cleanliness, its surface could be degraded and affect the lifespan of the apparatus and lead to a dangerous situation.

## Specifications

Model:	HMW2701/ HMW2700N
Rated Voltage:	230V~ 50Hz
Rated Input Power(Microwave):	1050 W
Rated Output Power(Microwave):	700 W

# **IMPORTANT SAFETY INSTRUCTIONS**

## **WARNING**

To reduce the risk of fire, electric shock, injury to persons or exposure to excessive microwave oven energy when using your appliance, follow basic precautions, including the following:

1. Read and follow the specific: "PRECAUTIONS TO AVOID POSSIBLE EXPOSURE TO EXCESSIVE MICROWAVE ENERGY".
2. This appliance can be used by children aged from 8 years and above and persons with reduced physical, sensory or mental capabilities or lack of experience and knowledge if they have been given supervision or instruction concerning use of the appliance in a safe way and understand the hazards involved. Children shall not play with the appliance. Cleaning and user maintenance shall not be made by children without supervision.
3. Keep the appliance and its cord out of reach of children less than 8 years.
4. If the supply cord is damaged, it must be replaced by the manufacturer, its service agent or similarly qualified persons in order to avoid a hazard.
5. **WARNING:** Ensure that the appliance is switched off before replacing the lamp to avoid the possibility of electric shock.
6. **WARNING:** It is hazardous for anyone other than a competent person to carry out any service or repair operation that involves the removal of a cover which gives protection against exposure to microwave energy.

7. **WARNING:** Liquids and other foods must not be heated in sealed containers since they are liable to explode.
8. When heating food in plastic or paper containers, keep an eye on the oven due to the possibility of ignition.
9. Only use utensils that are suitable for use in microwave ovens.
10. If smoke is emitted, switch off or unplug the appliance and keep the door closed in order to stifle any flames.
11. Microwave heating of beverages can result in delayed eruptive boiling, therefore care must be taken when handling the container.
12. The contents of feeding bottles and baby food jars shall be stirred or shaken and the temperature checked before consumption, in order to avoid burns.
13. Eggs in their shell and whole hard-boiled eggs should not be heated in microwave ovens since they may explode, even after microwave heating has ended.
14. The oven should be cleaned regularly and any food deposits removed.
15. Failure to maintain the oven in a clean condition could lead to deterioration of the surface that could adversely affect the life of the appliance and possibly result in a hazardous situation.
16. The appliance must not be installed behind a decorative door in order to avoid overheating. (This is not applicable for appliances with decorative door.)
17. Only use the temperature probe recommended for this oven. (for ovens provided with a facility to use a temperature-sensing probe.)

18. The microwave oven shall not be placed in a cabinet unless it has been tested in a cabinet.
19. The microwave oven must be operated with the decorative door open. (for ovens with a decorative door.)
20. This appliance is intended to be used in household and similar applications .
21. The microwave oven is intended for heating food and beverages. Drying of food or clothing and heating of warming pads, slippers, sponges, damp cloth and similar may lead to risk of injury, ignition or fire.
22. Metallic containers for food and beverages are not allowed during microwave cooking.
23. The appliance shall not be cleaned with a steam cleaner.
24. The appliance is intended to be used freestanding.
25. The rear surface of appliances shall be placed against a wall.

**READ CAREFULLY AND KEEP FOR FUTURE  
REFERENCE**

# To Reduce the Risk of Injury to Persons Grounding Installation

## **DANGER**

Electric Shock Hazard  
Touching some of the internal components can cause serious personal injury or death. Do not disassemble this appliance.

## **WARNING**

Electric Shock Hazard  
Improper use of the grounding can result in electric shock. Do not plug into an outlet until appliance is properly installed and grounded.

This appliance must be grounded. In the event of an electrical short circuit, grounding reduces the risk of electric shock by providing an escape wire for the electric current. This appliance is equipped with a cord having a grounding wire with a grounding plug. The plug must be plugged into an outlet that is properly installed and grounded.

Consult a qualified electrician or serviceman if the grounding instructions are not completely understood or if doubt exists as to whether the appliance is properly grounded. If it is necessary to use an extension cord, use only a 3-wire extension cord.

1. A short power-supply cord is provided to reduce the risks resulting from becoming entangled in or tripping over a longer cord.
2. If a long cord set or extension cord is used:
  - 1)The marked electrical rating of the cord set or extension cord should be at least as great as the electrical rating of the appliance.
  - 2)The extension cord must be a grounding-type 3-wire cord.
  - 3)The long cord should be arranged so that it will not drape over the counter top or tabletop where it can be pulled on by children or tripped over unintentionally.



# CLEANING

Be sure to unplug the appliance from the power supply.

1. Clean the cavity of the oven after using with a slightly damp cloth.
2. Clean the accessories in the usual way in soapy water.
3. The door frame and seal and neighbouring parts must be cleaned carefully with a damp cloth when they are dirty.
4. Do not use harsh abrasive cleaners or sharp metal scrapers to clean the oven door glass since they can scratch the surface, which may result in shattering of the glass.
5. Cleaning Tip---For easier cleaning of the cavity walls that the food cooked can touch: Place half a lemon in a bowl, add 300ml (1/2 pint) water and heat on 100% microwave power for 10 minutes. Wipe the oven clean using a soft, dry cloth.

# UTENSILS

## CAUTION

### Personal Injury Hazard

It is hazardous for anyone other than a competent person to carry out any service or repair operation that involves the removal of a cover which gives protection against exposure to microwave energy.

See the instructions on "Materials you can use in microwave oven or to be avoided in microwave oven."

There may be certain non-metallic utensils that are not safe to use for microwaving. If in doubt, you can test the utensil in question following the procedure below.

Utensil Test:

1. Fill a microwave-safe container with 1 cup of cold water (250ml) along with the utensil in question.
2. Cook on maximum power for 1 minute.
3. Carefully feel the utensil. If the empty utensil is warm, do not use it for microwave cooking.
4. Do not exceed 1 minute cooking time.

¡**WARNING!** Remember to regularly clean the small interior mica plate placed on the right to prevent burning.

## HOW TO CLEAN THE MICA PLATE

1. **Turn off and unplug the microwave.** Make sure the microwave is turned off and unplugged to avoid accidents.
2. **Dampen a cloth or sponge with water.** Do not use harsh chemicals or abrasive sponges, as they can damage the mica!
3. **Wipe gently.** Wipe the damp cloth or sponge over the mica to remove grease and dirt residue. Do not apply too much pressure to avoid damaging the material!
4. **Dry.** After wiping with the damp cloth, wipe the mica with a clean, completely dry cloth.

Note: A damaged mica can affect the operation of the microwave and be a safety risk.



## Materials you can use in microwave oven

Utensils	Remarks
Browning dish	Follow manufacturer's instructions. The bottom of browning dish must be at least 3/16 inch (5mm) above the turntable. Incorrect usage may cause the turntable to break.
Dinnerware	Microwave-safe only. Follow manufacturer's instructions. Do not use cracked or chipped dishes.
Glass jars	Always remove lid. Use only to heat food until just warm. Most glass jars are not heat resistant and may break.
Glassware	Heat-resistant oven glassware only. Make sure there is no metallic trim. Do not use cracked or chipped dishes.
Oven cooking bags	Follow manufacturer's instructions. Do not close with metal tie. Make slits to allow steam to escape.
Paper plates and cups	Use for short-term cooking/warming only. Do not leave oven unattended while cooking.
Paper towels	Use to cover food for reheating and absorbing fat. Use with supervision for a short-term cooking only.
Parchment paper	Use as a cover to prevent splattering or a wrap for steaming.
Plastic	Microwave-safe only. Follow the manufacturer's instructions. Should be labeled "Microwave Safe". Some plastic containers soften, as the food inside gets hot. "Boiling bags" and tightly closed plastic bags should be slit, pierced or vented as directed by package.
Plastic wrap	Microwave-safe only. Use to cover food during cooking to retain moisture. Do not allow plastic wrap to touch food.
Thermometers	Microwave-safe only (meat and candy thermometers).
Wax paper	Use as a cover to prevent splattering and retain moisture.

## Materials to be avoided in microwave oven

Utensils	Remarks
Aluminum tray	May cause arcing. Transfer food into microwave-safe dish.
Food carton with metal handle	May cause arcing. Transfer food into microwave-safe dish.
Metal or metal-trimmed utensils	Metal shields the food from microwave energy. Metal trim may cause arcing.
Metal twist ties	May cause arcing and could cause a fire in the oven.
Paper bags	May cause a fire in the oven.
Plastic foam	Plastic foam may melt or contaminate the liquid inside when exposed to high temperature.
Wood	Wood will dry out when used in the microwave oven and may split or crack.

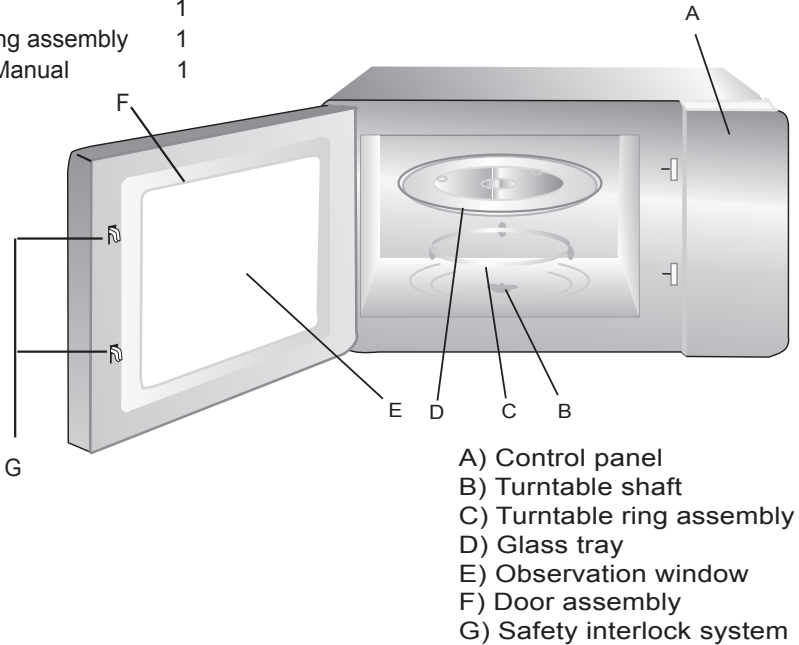
# SETTING UP YOUR OVEN

## Names of Oven Parts and Accessories

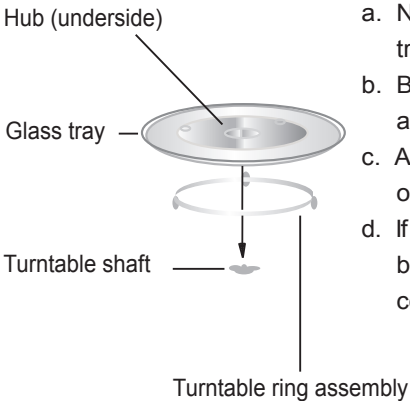
Remove the oven and all materials from the carton and oven cavity.

Your oven comes with the following accessories:

Glass tray	1
Turntable ring assembly	1
Instruction Manual	1



## Turntable Installation



- Never place the glass tray upside down. The glass tray should never be restricted.
- Both glass tray and turntable ring assembly must always be used during cooking.
- All food and containers of food are always placed on the glass tray for cooking.
- If glass tray or turntable ring assembly cracks or breaks, contact your nearest authorized service center.

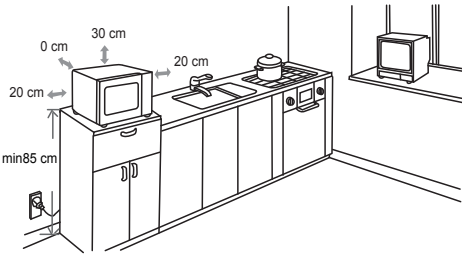
# Countertop Installation

Remove all packing material and accessories. Examine the oven for any damage such as dents or broken door. Do not install if oven is damaged.

Cabinet: Remove any protective film found on the microwave oven cabinet surface. Do not remove the light brown Mica cover that is attached to the oven cavity to protect the magnetron.

## Installation

1. Select a level surface that provide enough open space for the intake and/or outlet vents.



(1) The minimum installation height is 85cm.

(2) The rear surface of appliance shall be placed against a wall.

Leave a minimum clearance of 30cm above the oven, a minimum clearance of 20cm is required between the oven and any adjacent walls.

(3) Do not remove the legs from the bottom of the oven.

(4) Blocking the intake and/or outlet openings can damage the oven.

(5) Place the oven as far away from radios and TV as possible. Operation of microwave oven may cause interference to your radio or TV reception.

2. Plug your oven into a standard household outlet. Be sure the voltage and the frequency is the same as the voltage and the frequency on the rating label.

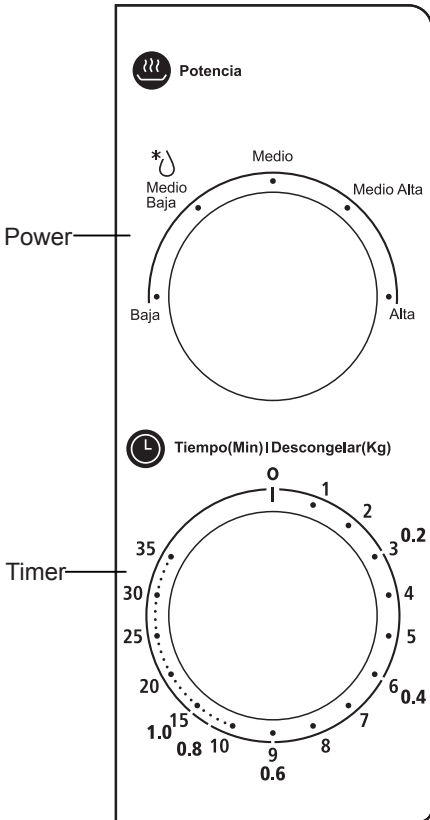
**WARNING:** Do not install oven over a range cooktop or other heat-producing appliance. If installed near or over a heat source, the oven could be damaged and the warranty would be void.

The accessible surface may be hot during operation.



# OPERATION

## Control Panel and Features Operation Instructions



1. To set cooking power by turning the power knob to desired level.
2. To set the time of cooking by turning the timer knob to desired time per your food cooking guide.
3. The microwave oven will automatically start cooking after power level and time are set.
4. After the cooking time is up, the unit will "Dong" to stop.
5. If the unit is not in use, always set time to "0".

Function/Power	Output	Application
Low	17% micro.	Soften ice cream
Med. Low (Defrost)	33% micro.	Soup stew, soften butter or defrost
Med.	55% micro.	Stew, fish
Med. High	77% micro.	Rice, fish, chicken, ground meat
High	100% micro.	Reheat, milk, boil water, vegetables, beverage

**Notice:** When removing food from the oven, please ensure that the oven power is switched off by turning the timer switch to 0 (zero). Failure to do so, and operating the microwave oven without food in it, can result in overheating and damage to the magnetron.

# Trouble shooting

Normal	
Microwave oven interfering TV reception	Radio and TV reception may be interfered when microwave oven operating. It is similar to the interference of small electrical appliances, like mixer, vacuum cleaner, and electric fan. It is normal.
Dim oven light	In low power microwave cooking, oven light may become dim. It is normal.
Steam accumulating on door, hot air out of vents	In cooking, steam may come out of food. Most will get out from vents. But some may accumulate on cool place like oven door. It is normal.
Oven started accidentally with no food in.	It is forbidden to run the unit without any food inside. It is very dangerous.

Trouble	Possible Cause	Remedy
Oven can not be started.	(1) Power cord not plugged in tightly.	Unplug. Then plug again after 10 seconds.
	(2) Fuse blowing or circuit breaker works.	Replace fuse or reset circuit breaker (repaired by professional personnel of our company)
	(3) Trouble with outlet.	Test outlet with other electrical appliances.
Oven does not heat.	(4) Door not closed well.	Close door well.



This appliance is labelled in accordance with European Directive 2012/19/EU on Waste Electrical and Electronic Equipment Regulations 2013 regarding electric and electronic appliances (WEEE). The WEEE contain both polluting substances (that can have a negative effect on the environment) and base elements (that can be reused). It is important that the WEEE undergo specific treatments to correctly remove and dispose of the pollutants and recover all the materials. Individuals can play an important role in ensuring that the WEEE do not become an environmental problem; it is essential to follow a few basic rules:

- the WEEE should not be treated as domestic waste;
- the WEEE should be taken to dedicated collection areas managed by the town council or a registered company.

In many countries, domestic collections may be available for large WEEEs. When you buy a new appliance, the old one can be returned to the vendor who must accept it free of charge as a one-off, as long as the appliance is of an equivalent type and has the same functions as the purchased appliance.

# HYUNDAI

Horno microondas

## MANUAL DE INSTRUCCIONES

MODELO: HMW2701/  
HMW2700N

**Lea atentamente estas instrucciones antes de utilizar su horno microondas y guárdelas en un lugar seguro y accesible.**

Si sigue las instrucciones, su horno le proporcionará un funcionamiento satisfactorio durante muchos años.

**GUARDE CUIDADOSAMENTE ESTAS INSTRUCCIONES**



# PRECAUCIONES PARA EVITAR UNA POSIBLE EXPOSICIÓN A UN EXCESO DE ENERGÍA DE MICROONDAS

(a) No intente hacer funcionar este horno con la puerta abierta, ya que esto puede provocar una exposición perjudicial a la energía de las microondas. Es importante no romper o manipular los mecanismos de cierre de seguridad.

(b) No coloque ningún objeto entre la parte frontal del horno y la puerta ni permita que se acumulen restos de suciedad o de productos limpiadores en las superficies de las juntas.

(c) ADVERTENCIA: Si la puerta o las juntas de la puerta están dañadas, no debe utilizarse el horno hasta que un técnico competente lo haya reparado.

## NOTA

Si el aparato no se mantiene en buen estado de limpieza, su superficie podría degradarse y afectar a la vida útil del aparato y provocar una situación peligrosa.

## Especificaciones

Modelo:	HMW2701/ HMW2700N
Tensión nominal:	230 V~50 Hz
Potencia nominal de entrada (microondas):	1050 W
Potencia nominal de salida (microondas):	700 W

## **ADVERTENCIA DE SEGURIDAD IMPORTANTE**

Para reducir el riesgo de incendio, de descarga eléctrica, de lesiones personales o de exposición a un exceso de energía del horno microondas mientras utiliza el aparato, siga las precauciones básicas, incluyendo las siguientes:

1. Lea y siga las siguientes indicaciones:  
"PRECAUCIONES PARA EVITAR UNA POSIBLE EXPOSICIÓN A UN EXCESO DE ENERGÍA DE MICROONDAS".
2. Este electrodoméstico puede ser utilizado por niños a partir de 8 años y por personas con capacidades físicas, sensoriales o mentales reducidas, o sin experiencia o conocimientos previos, siempre y cuando hayan recibido la supervisión y las instrucciones necesarias para utilizar el electrodoméstico de forma segura y comprendan los riesgos que implica. Los niños no deben jugar con este electrodoméstico. Las operaciones de limpieza y mantenimiento no deben ser realizadas por niños sin supervisión.
3. Mantenga el aparato y su cable fuera del alcance de los niños menores de 8 años.
4. Si el cable de alimentación está dañado, debe ser sustituido por el fabricante, por su servicio técnico o por cualquier profesional cualificado similar para evitar riesgos.
5. **ADVERTENCIA:** Para evitar la posibilidad de descargas eléctricas, asegúrese de que el electrodoméstico esté apagado antes de cambiar la bombilla.
6. **ADVERTENCIA:** Es peligroso que alguien que no sea una persona competente lleve a cabo cualquier tarea de mantenimiento o reparación que implique la retirada de una cubierta que proteja de la exposición a la energía de microondas.

7. **ADVERTENCIA:** No se deben calentar líquidos ni otros alimentos en recipientes cerrados, ya que pueden explotar.
8. Cuando caliente alimentos en recipientes de plástico o papel, vigile el horno por la posibilidad de que se inflamen.
9. Utilice únicamente utensilios aptos para su uso en hornos microondas.
10. Si se genera humo, apague o desenchufe el aparato y mantenga la puerta cerrada para apagar las posibles llamas.
11. Calentar las bebidas en el microondas puede provocar una ebullición retardada, por lo que hay que tener cuidado al manipular el recipiente.
12. Antes de consumir el contenido de los biberones y de los tarros de comida para bebés, hay que removerlo o agitarlo y comprobar su temperatura, para evitar quemaduras.
13. Los huevos con cáscara y los huevos duros enteros no deben calentarse en los hornos microondas, ya que pueden explotar, incluso después de haber terminado de calentarlos.
14. El horno debe limpiarse regularmente y eliminar cualquier resto de alimento.
15. No mantener el horno en buenas condiciones de limpieza podría provocar un deterioro de la superficie que podría afectar negativamente a la vida útil del aparato y posiblemente provocar una situación de peligro.
16. Para evitar sobrecalentamientos, este electrodoméstico no debe instalarse detrás de una puerta decorativa. (Esto no es aplicable para electrodomésticos con puerta decorativa).
17. Utilice únicamente la sonda de temperatura recomendada para este horno. (Para hornos provistos de una instalación para el uso de una sonda de detección de temperatura).

18. El horno microondas no debe colocarse en un armario, a menos que se haya sometido a ensayo en un armario.
19. El horno microondas debe ser manejado con la puerta decorativa abierta. (Para hornos con puerta decorativa).
20. Este aparato está diseñado para su uso doméstico y para aplicaciones similares,
21. El horno microondas está destinado a calentar alimentos y bebidas. El secado de alimentos o ropa y el calentamiento de almohadillas térmicas, pantuflas, esponjas, paños húmedos y similares pueden provocar lesiones, ignición o incendio.
22. No se permite el uso de recipientes metálicos para alimentos y bebidas durante la cocción al microondas.
23. El aparato no debe limpiarse con un limpiador a vapor.
24. El aparato está diseñado para ser usado de forma independiente.
25. La superficie posterior de los aparatos debe colocarse contra una pared.

**LEER CON ATENCIÓN Y GUARDAR PARA  
FUTURAS CONSULTAS**

# Instalación de la toma de tierra para reducir el riesgo de lesiones a las personas

## PELIGRO

Peligro de descarga eléctrica  
Tocar algunos de los componentes internos puede causar graves lesiones personales o la muerte.  
No desmonte este aparato.

## ADVERTENCIA

Peligro de descarga eléctrica  
El uso inadecuado de la toma de tierra puede provocar una descarga eléctrica.  
No lo enchufe en una toma de corriente hasta que el aparato esté correctamente instalado y conectado a tierra.

Este electrodoméstico debe ser puesto a tierra. En el caso de un cortocircuito eléctrico, la conexión a tierra reduce el riesgo de descarga eléctrica al proporcionar un cable de fuga para la corriente eléctrica. Este electrodoméstico está equipado con un cable con un conductor de puesta a tierra del equipo y el enchufe correspondiente. El enchufe debe conectarse a una toma de corriente correctamente instalada y con puesta a tierra.

Consulte a un electricista o técnico cualificado si las instrucciones de conexión a tierra no se entienden completamente o si existen dudas sobre si el aparato está correctamente conectado a tierra. Si es necesario utilizar un cable alargador, utilice solo un cable de 3 hilos.

1. Se proporciona un cable de alimentación corto para reducir los riesgos que se producen al enredarse o tropezar con un cable más largo.
2. Si se utiliza un juego de cables largos o un alargador:
  - 1) La capacidad eléctrica indicada del cable o alargador debe ser como mínimo igual a la capacidad eléctrica del aparato.
  - 2) El cable alargador debe ser un cable de 3 hilos con conexión a tierra.
  - 3) El cable largo debe colocarse de forma que no cuelgue sobre la encimera o el tablero de la mesa, donde los niños puedan tirar de él o tropezar con él involuntariamente.

## LIMPIEZA

Asegúrese de desenchufar el aparato de la red eléctrica.

1. Tras el uso, limpie la cavidad de cocinado del horno con un paño ligeramente húmedo.
2. Limpie los accesorios de la forma habitual con agua y jabón.
3. El marco y la junta de la puerta, así como las piezas adyacentes, deben limpiarse bien con un paño húmedo si están sucios.
4. No utilice limpiadores abrasivos o raspadores metálicos afilados para limpiar el cristal de la puerta del horno, ya que pueden rayar la superficie, lo que puede provocar la rotura del cristal.
5. Consejo de limpieza---Para facilitar la limpieza de las paredes de la cavidad que pueden tocar los alimentos cocinados: Ponga medio limón en un bol, añada 300 ml de agua y caliéntelo al 100% de potencia en el microondas durante 10 minutos. Limpie el horno con un paño suave y seco.

## UTENSILIOS

### PRECAUCIÓN

#### **Peligro de lesiones personales**

Es peligroso que alguien que no sea una persona competente lleve a cabo cualquier tarea de mantenimiento o reparación que implique la retirada de una cubierta que proteja de la exposición a la energía de microondas.

Consulte las instrucciones de "Materiales que puede utilizar en el horno microondas o que debe evitar en el horno microondas". Es posible que haya ciertos utensilios no metálicos que no sean seguros para usar en el microondas. En caso de duda, puede probar el utensilio en cuestión siguiendo el procedimiento que se indica a continuación.

Comprobación del utensilio:

1. Llene un recipiente apto para el microondas con 1 taza de agua fría (250 ml) junto con el utensilio en cuestión.
2. Cocine a potencia máxima durante 1 minuto.
3. Con cuidado, toque el utensilio. Si el utensilio vacío está caliente, no lo utilice para cocinar en el microondas.
4. No supere el tiempo de cocción de 1 minuto.

## Materiales que se pueden utilizar en el horno microondas

Utensilios	Observaciones
Plato para dorar	Siga las instrucciones del fabricante. El fondo del plato para dorar debe quedar de al menos 3/16 pulgadas (5 mm) por encima del plato giratorio. El uso incorrecto puede causar que el plato giratorio se rompa.
Vajilla	Solo apto para microondas. Siga las instrucciones del fabricante. No utilice platos agrietados o astillados.
Frascos de vidrio	Quite siempre la tapa. Utilícelos sólo para calentar ligeramente los alimentos. La mayoría de los frascos de vidrio no son resistentes al calor y pueden romperse.
Cristalería	Sólo cristalería de horno resistente al calor. Asegúrese de que no tengan adornos metálicos. No utilice platos agrietados o astillados.
Bolsas de cocción para el horno	Siga las instrucciones del fabricante. No las cierre con bridas metálicas. Abra hendiduras para permitir que salga el vapor.
Platos y tazas de papel	Utilícelas sólo para cocinar/calentar durante un breve periodo de tiempo. No deje el horno sin vigilancia mientras cocina.
Servilletas de papel	Utilizar para cubrir los alimentos para recalentarlos y absorber la grasa. Utilizar con supervisión sólo para una cocción de corta duración.
Papel de pergamino	Utilícelo a modo de tapa para evitar salpicaduras o como envoltorio para cocinar al vapor.
Plástico	Solo apto para microondas. Siga las instrucciones del fabricante. Debe estar etiquetado como "Seguro para microondas". Algunos recipientes de plástico se reblandecen al calentarse los alimentos de su interior. "En las bolsas de ebullición" y en las bolsas de plástico cerradas herméticamente se deben hacer cortes, perforaciones o aberturas de ventilación según las indicaciones del envase.
Envoltorio de plástico	Solo apto para microondas. Utilizar para cubrir los alimentos durante la cocción para retener la humedad. No permita que el envoltorio de plástico toque los alimentos.
Termómetros	Sólo aptos para microondas (termómetros para carne y caramelo).
Papel de cera	Utilizar a modo de tapa para evitar las salpicaduras y retener la humedad.

## Materiales que deben evitarse en el horno microondas

Utensilios	Observaciones
Bandeja de aluminio	Puede provocar un arco eléctrico. Cambie los alimentos a un plato apto para microondas.
Envase de cartón para alimentos con asa metálica	Puede provocar un arco eléctrico. Cambie los alimentos a un plato apto para microondas.
Utensilios de metal o con adornos metálicos	El metal protege los alimentos de la energía de las microondas. Los adornos metálicos pueden provocar la formación de arcos eléctricos.
Bridas de metal	Puede provocar un arco eléctrico y causar fuego en el horno.
Bolsas de papel	Puede provocar fuego en el horno.
Espuma plástica	La espuma plástica puede derretirse o contaminar el líquido interior cuando se expone a altas temperaturas.
Madera	Al utilizarla en el horno microondas, la madera se seca y puede partirse o agrietarse.

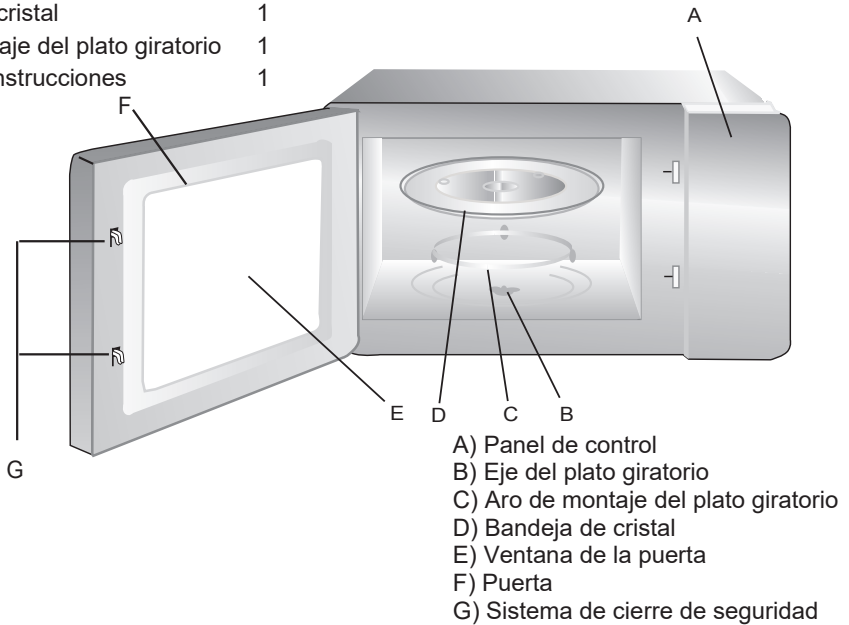
# CONFIGURACIÓN DEL HORNO

## Nombres de las piezas y accesorios del horno

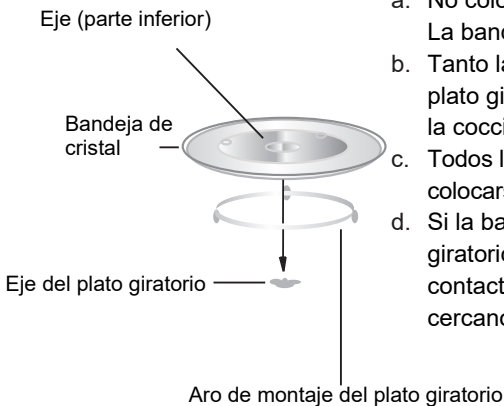
Saque el horno y todos los materiales de la caja y de la cavidad de cocción del horno.

Su horno incluye los siguientes accesorios:

Bandeja de cristal	1
Aro de montaje del plato giratorio	1
Manual de instrucciones	1



## Instalación del plato giratorio



- No coloque nunca la bandeja de cristal boca abajo. La bandeja de cristal nunca debe quedar atascada.
- Tanto la bandeja de cristal como el aro de montaje del plato giratorio deben utilizarse siempre durante la cocción.
- Todos los alimentos y recipientes de comida deben colocarse siempre en la bandeja de cristal para cocinar.
- Si la bandeja de cristal o el aro de montaje del plato giratorio se agrietan o se rompen, póngase en contacto con el servicio técnico autorizado más cercano.



## Instalación en encimeras

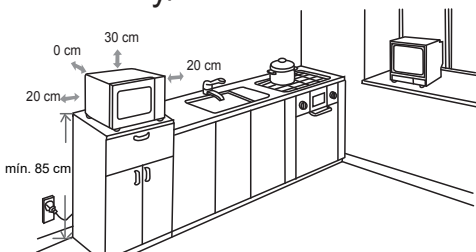
Retire todos los materiales de embalaje y accesorios. Examine el horno para ver si presenta algún daño, como abolladuras o la puerta rota. No instale el horno si está dañado.

Mueble: Retire cualquier película protectora que se encuentre en la superficie del mueble del microondas.

No retire la cubierta de mica marrón claro que está adherida a la cavidad del horno para proteger el magnetrón.

## Instalación

1. Seleccione una superficie nivelada que proporcione suficiente espacio abierto para las ventilaciones de entrada y/o salida.



(1) La altura mínima de instalación es de 85 cm.

(2) La superficie posterior del aparato debe colocarse contra una pared.

Deje un espacio libre de como mínimo 30 cm por encima del horno, se requiere un espacio mínimo de 20 cm entre el horno y las paredes adyacentes.

(3) No retire las patas del fondo del horno.

(4) El bloqueo de las aberturas de entrada y/o salida pueden dañar el horno.

(5) Coloque el horno lo más lejos posible de radios y TV. El funcionamiento del horno microondas puede causar interferencias en la recepción de su radio o televisión.

2. Enchufe el horno a un enchufe estándar para el hogar. Asegúrese de que el voltaje y la frecuencia sean los mismos que el voltaje y la frecuencia en la etiqueta de clasificación.

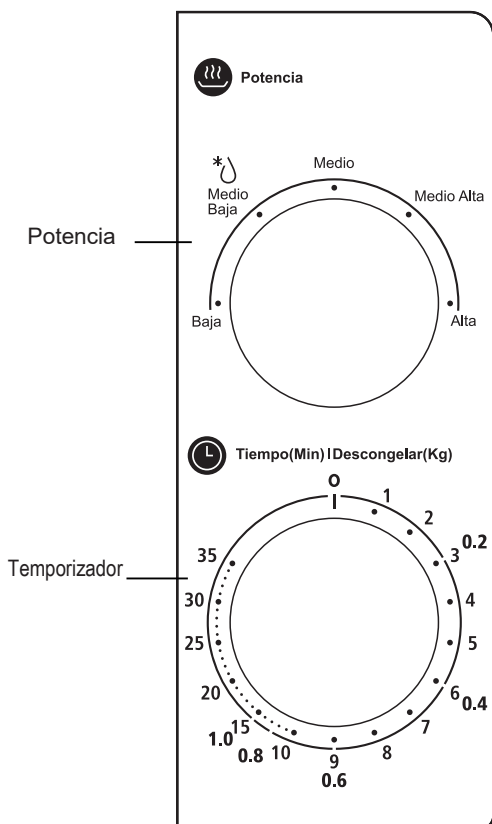
**ADVERTENCIA:** No instale el horno sobre una placa de cocción u otros aparatos generadores de calor. Si se instala cerca o sobre una fuente de calor, el horno podría dañarse y la garantía quedaría anulada.

**La superficie que queda accesible puede calentarse durante el funcionamiento.**



# FUNCIONAMIENTO

## Instrucciones de funcionamiento del panel de control y características



1. Ajuste la potencia de cocción girando el selector de potencia hasta el nivel deseado.
2. Ajuste el tiempo de cocción girando el selector de tiempo hasta el tiempo deseado según la guía de cocción de alimentos.
3. El horno microondas empezará a cocinar automáticamente después de que el nivel de potencia y el tiempo estén ajustados.
4. Una vez transcurrido el tiempo de cocción, la unidad se detendrá y emitirá un sonido.
5. Si la unidad no está en uso, ajuste siempre el tiempo a "0".

Función/potencia	Salida	Aplicación
Baja	17% micro.	Ablandar helado
Medio Baja (Descongelar)	33% micro.	Sopas, guisos, ablandar mantequilla o descongelar
Medio	55% micro.	Guisos, pescado
Medio Alta	77% micro.	Arroz, pescado, pollo, carne picada
Alta	100% micro.	Recalentar, leche, hervir agua, verduras, bebidas

Nota: Al retirar los alimentos del horno, asegúrese de que la alimentación del horno esté apagada girando el interruptor del temporizador a 0 (cero). Si no lo hace, y si utiliza el horno microondas sin alimentos dentro, puede provocar un sobrecalentamiento y daños en el magnetrón.

# Resolución de problemas

Normal	
El horno microondas interfiere en la recepción de la televisión	La recepción de radio y televisión puede verse afectada cuando el horno microondas está en funcionamiento. Se trata de una interferencia similar a la que causan los pequeños electrodomésticos, como la batidora, la aspiradora y el ventilador eléctrico. Se trata de algo normal.
Luz del horno tenue	En la cocción con el horno microondas a baja potencia, es posible que la luz del horno se atenúe. Se trata de algo normal.
Acumulación de vapor en la puerta, salida de aire caliente por las rejillas de ventilación	Al cocinar, puede salir vapor de los alimentos. La mayoría del vapor sale por las rejillas de ventilación. Pero puede acumularse algo de vapor en un lugar más frío, como la puerta del horno. Se trata de algo normal.
El horno se pone en marcha accidentalmente sin comida dentro.	Queda prohibido hacer funcionar la unidad sin ningún alimento en su interior. Es muy peligroso.

Problema	Causa posible	Solución
El horno no se puede poner en marcha.	(1)El cable de alimentación no está bien enchufado.	Desenchúfelo. Vuelva a enchufarlo transcurridos 10 segundos.
	(2)Salta el fusible o el disyuntor del circuito.	Sustituya el fusible o restablezca el disyuntor de circuito (reparado por personal profesional de nuestra empresa)
	(3)Problemas con la toma de corriente.	Pruebe la toma de corriente con otros aparatos eléctricos.
El horno no calienta.	(4)La puerta no está bien cerrada.	Cierre bien la puerta.



Este electrodoméstico está etiquetado de acuerdo con la Directiva europea 2012/19/UE sobre Residuos de Aparatos Eléctricos y Electrónicos 2013 sobre aparatos eléctricos y electrónicos (RAEE). Los RAEE contienen tanto sustancias contaminantes (que pueden tener un efecto negativo en el medio ambiente) como elementos básicos (que pueden reutilizarse). Es importante que los RAEE se sometan a tratamientos específicos para desechar y eliminar correctamente los contaminantes y recuperar todos los materiales reutilizables. Las personas desempeñan un papel clave a la hora de garantizar que los RAEE no se conviertan en un problema medioambiental. Para ello, es esencial seguir algunas normas básicas:

- Los RAEE no deben recibir el mismo tratamiento que los residuos domésticos.
- Los RAEE deben llevarse a áreas de recolección específicas gestionadas por el ayuntamiento o por una empresa registrada.

En muchos países puede haber servicios de recogida a domicilio para RAEE de gran tamaño. Al comprar un electrodoméstico nuevo, el antiguo puede devolverse al proveedor (que debe aceptarlo de forma gratuita) siempre y cuando el electrodoméstico antiguo tenga características similares y sea de un tipo equivalente al electrodoméstico adquirido.

# HYUNDAI

Four à micro-ondes

## MANUEL D'INSTRUCTIONS

MODÈLE : HMW2701/  
HMW2700N

**Veillez lire attentivement les instructions de ce manuel avant d'utiliser votre four à micro-ondes, et conservez-le en lieu sûr.**

Si vous suivez les instructions, votre four vous servira pendant de nombreuses années.

**CONSERVEZ CES INSTRUCTIONS DANS UN LIEU SÛR**

# PRÉCAUTIONS À PRENDRE POUR ÉVITER UNE EXPOSITION ÉVENTUELLE À UNE ÉNERGIE EXCESSIVE DUE AUX MICRO-ONDES

(a) N'essayez pas de faire fonctionner ce four avec la porte ouverte, car cela peut entraîner une exposition nocive à l'énergie micro-ondes. Il est important de ne pas briser ou altérer les verrouillages de sécurité.

(b) Ne placez aucun objet entre la face avant du four et la porte et ne laissez pas de saleté ou de résidus de nettoyant s'accumuler sur les surfaces d'étanchéité.

(c) **AVERTISSEMENT** : Si la porte ou les joints de porte sont endommagés, le four ne doit pas être utilisé tant qu'il n'a pas été réparé par une personne compétente.

## ADDENDUM

Si l'appareil n'est pas conservé dans un bon état de propreté, sa surface pourrait se dégrader et affecter la durée de vie de l'appareil et conduire à une situation dangereuse.

### Caractéristiques

Modèle :	HMW2701/ HMW2700N
Tension nominale :	230 V~ 50 Hz
Puissance d'entrée nominale (micro-ondes) :	1 050 W
Puissance de sortie nominale (micro-ondes) :	700 W

## **IMPORTANT AVERTISSEMENT CONCERNANT LES CONSIGNES DE SÉCURITÉ IMPORTANTES**

Pour réduire les risques d'incendie, de choc électrique, de blessures ou d'exposition à une énergie excessive du four à micro-ondes lors de l'utilisation de votre appareil, suivez les précautions de base, y compris celles qui suivent :

1. Lisez et suivez les instructions spécifiques :  
« PRÉCAUTIONS À PRENDRE POUR ÉVITER  
UNE EXPOSITION ÉVENTUELLE À UNE ÉNERGIE  
EXCESSIVE DUE AUX MICRO-ONDES ».
2. Cet appareil peut être utilisé par des enfants à partir de 8 ans et par des personnes ayant des capacités physiques, sensorielles ou mentales réduites ou un manque d'expérience et de connaissances, s'ils sont sous surveillance ou si on leur a appris à utiliser l'appareil en toute sécurité et s'ils comprennent les risques courus. Les enfants ne doivent pas jouer avec l'appareil. Le nettoyage et l'entretien ne doivent pas être effectués par des enfants sans surveillance.
3. Gardez l'appareil et son cordon hors de portée des enfants de moins de 8 ans.
4. Si le cordon d'alimentation est endommagé, faites-le remplacer par le fabricant, le service après-vente ou un électricien qualifié pour éviter tout risque d'accident.
5. **AVERTISSEMENT** : Vérifiez que l'appareil est éteint avant de changer l'ampoule, pour éviter tout risque d'électrocution.
6. **AVERTISSEMENT** : Il est dangereux pour toute personne autre qu'une personne compétente d'effectuer toute opération d'entretien ou de réparation impliquant l'enlèvement d'un couvercle qui protège contre l'exposition à l'énergie micro-ondes.
7. **AVERTISSEMENT** : Les liquides et autres aliments ne doivent pas être chauffés dans des contenants scellés, car ils sont susceptibles d'exploser.

8. Lorsque vous chauffez des aliments dans des contenants en plastique ou en papier, gardez un œil sur le four en raison du risque d'ignition.
9. N'utilisez que des ustensiles adaptés à l'utilisation dans les fours à micro-ondes.
10. En cas d'émission de fumée, éteignez ou débranchez l'appareil et gardez la porte fermée afin d'étouffer toute flamme.
11. Le chauffage des boissons par micro-ondes peut retarder l'ébullition par éruption ; il faut donc être prudent lors de la manipulation du contenant.
12. Le contenu des biberons et des pots d'aliments pour bébés doit être mélangé ou agité et la température vérifiée avant consommation, afin d'éviter les brûlures.
13. Les œufs en coquille et les œufs durs entiers ne doivent pas être chauffés dans un four à micro-ondes, car ils peuvent exploser, même après la fin du chauffage au micro-ondes.
14. Le four doit être nettoyé régulièrement et tout dépôt de nourriture doit être enlevé.
15. Le fait de ne pas conserver le four dans un état de propreté peut entraîner une détérioration de la surface qui pourrait nuire à la durée de vie de l'appareil et éventuellement entraîner une situation dangereuse.
16. L'appareil ne doit pas être installé derrière une porte décorative afin d'éviter toute surchauffe. (Cela ne s'applique pas aux appareils équipés d'une porte décorative.)
17. Utilisez uniquement la sonde de température recommandée pour ce four (pour les fours équipés d'une sonde de température).
18. Le four à micro-ondes ne doit pas être placé dans un meuble, sauf s'il a été testé dans un meuble.
19. Le four à micro-ondes doit être utilisé avec la porte décorative ouverte (pour les fours équipés d'une porte décorative).

20. Cet appareil est conçu pour être utilisé dans une habitation et pour des applications similaires.
21. Le four à micro-ondes est destiné au chauffage des aliments et des boissons. Le séchage d'aliments ou de vêtements et le chauffage de coussins chauffants, de chaussons, d'éponges, de chiffons humides ou similaires peuvent entraîner un risque de blessure, d'ignition ou d'incendie.
22. Les récipients métalliques pour aliments et boissons ne sont pas autorisés pendant la cuisson au micro-ondes.
23. L'appareil ne doit pas être nettoyé à l'aide d'un nettoyeur à vapeur.
24. L'appareil est conçu pour être utilisé de manière autonome.
25. La surface arrière des appareils doit être placée contre un mur.

**LISEZ ATTENTIVEMENT ET CONSERVEZ CE  
MANUEL POUR POUVOIR LE CONSULTER EN  
CAS DE BESOIN**



# Pour réduire les risques de blessures aux personnes – Installation de mise à la terre

## **DANGER**

Risque de choc électrique. Toucher certains des composants internes peut causer des blessures graves, voire mortelles. Ne démontez pas cet appareil.

## **AVERTISSEMENT :**

Risque de choc électrique. Toute utilisation impropre de la mise à la terre vous expose à un risque d'électrocution. Ne branchez pas l'appareil à une prise de courant avant qu'il ne soit correctement installé et mis à la terre.

Cet appareil doit être mis à la terre. En cas de court-circuit électrique, la mise à la terre réduit les risques d'électrocution en offrant une voie d'évacuation au courant électrique. Cet appareil est équipé d'un cordon muni d'un cordon avec une mise à la terre et une prise de mise à la terre. Le connecteur fiche doit être branché sur une prise appropriée, installée et mise à la terre. Consultez un électricien ou un technicien

qualifié si les instructions de mise à la terre ne sont pas entièrement comprises ou s'il existe un doute quant à la mise à la terre correcte de l'appareil. S'il est nécessaire d'utiliser une rallonge, utilisez uniquement une rallonge à 3 fils.

1. Un cordon d'alimentation court est fourni pour réduire les risques de s'emmêler ou de trébucher sur un cordon plus long.
2. Si un cordon long ou une rallonge est utilisé :
  - 1) La puissance électrique marquée de l'ensemble de cordons ou de la rallonge doit être au moins aussi élevée que la puissance électrique de l'appareil.
  - 2) La rallonge doit être une rallonge à 3 fils de type mise à la terre.
  - 3) Le long cordon doit être disposé de façon à ce qu'il ne s'enroule pas sur le comptoir ou sur le dessus de la table où il peut être tiré par les enfants ou où vous pouvez trébucher dessus par inadvertance.

## NETTOYAGE

Assurez-vous de débrancher l'appareil de l'alimentation électrique.

1. Après utilisation, nettoyez la cavité de l'appareil avec un chiffon humide.
2. Nettoyez les accessoires à l'eau savonneuse comme d'habitude.
3. Le cadre et le joint de la porte ainsi que les pièces voisines doivent être nettoyés soigneusement avec un chiffon humide lorsqu'ils sont sales.
4. N'utilisez pas de nettoyants abrasifs agressifs ni des racloirs en métal pointus pour nettoyer la vitre de la porte du four, car ils peuvent rayer la surface du verre et briser la vitre.
5. Astuce de nettoyage --- pour un nettoyage plus facile des parois de la cavité que les aliments cuits peuvent toucher : Mettre un demi-citron dans un bol, ajouter 300 ml (1/2 pinte) d'eau et chauffer au micro-ondes à 100 % pendant 10 minutes. Essuyez le four avec un chiffon doux et sec.

## USTENSILES ATTENTION

### **Danger de blessures corporelles**

Il est dangereux pour toute personne autre qu'une personne compétente d'effectuer toute opération d'entretien ou de réparation impliquant l'enlèvement d'un couvercle qui protège contre l'exposition à l'énergie micro-ondes.

Voir les instructions sur les « Matériaux à utiliser dans un four à micro-ondes ou à éviter dans un four à micro-ondes ». Certains ustensiles non métalliques peuvent ne pas être sécurisés pour le micro-ondes. En cas de doute, vous pouvez tester l'ustensile en question en suivant la procédure ci-dessous.

Test des ustensiles :

1. Remplissez un contenant allant au micro-ondes d'une tasse d'eau froide (250 ml) avec l'ustensile en question.
2. Faites le chauffer à la puissance maximale pendant 1 minute.
3. Touchez délicatement l'ustensile. Si l'ustensile vide est chaud, ne l'utilisez pas pour la cuisson au micro-ondes.
4. Ne dépassez pas 1 minute de cuisson.

## Matériaux que vous pouvez utiliser dans un four à micro-ondes

Ustensiles	Remarques
Plat brunisseur	Suivez les instructions du fabricant. Le fond du plat brunisseur doit être à au moins 5 mm (3/16 po) au-dessus de la plaque tournante. Une utilisation incorrecte peut entraîner la rupture de la plaque tournante.
Vaisselle de table	Va au micro-ondes uniquement. Suivez les instructions du fabricant. N'utilisez pas de vaisselle craquelée ou émietée.
Bocaux en verre	Ôtez toujours le couvercle. Ne l'utilisez que pour réchauffer les aliments jusqu'à ce qu'ils soient chauds. La plupart des bocaux en verre ne sont pas résistants à la chaleur et peuvent se briser.
Les verres	Verres résistants à la chaleur seulement. Assurez-vous qu'il n'y a pas de garniture métallique. N'utilisez pas de vaisselle craquelée ou émietée.
Sacs à cuisson au four	Suivez les instructions du fabricant. Ne le fermez pas avec une attache métallique. Faites des fentes pour permettre à la vapeur de s'échapper.
Assiettes et gobelets en papier	Utilisez-les uniquement pour la cuisson/le réchauffement à court terme. Ne laissez pas le four sans surveillance pendant la cuisson.
Essuie-mains en papier	Utilisez-le pour couvrir les aliments afin de les réchauffer et d'absorber les graisses. Utilisez-le sous surveillance pour une cuisson de courte durée seulement.
Papier parchemin	Utiliser comme couvercle pour éviter les éclaboussures ou comme emballage pour la cuisson à la vapeur.
Plastique	Va au micro-ondes uniquement. Suivez les instructions du fabricant. Doit porter la mention « Adapté pour le micro-ondes ». Certains contenants en plastique s'assouplissent lorsque la nourriture à l'intérieur devient chaude. Les « sacs bouillants » et les sacs de plastique hermétiquement fermés doivent être fendus, percés ou ventilés selon les directives de l'emballage.
Enveloppe en plastique	Va au micro-ondes uniquement. Utilisez-la pour couvrir les aliments pendant la cuisson afin de retenir l'humidité. Ne laissez pas la pellicule plastique toucher les aliments.
Thermomètre	Seulement si adapté pour le micro-ondes (thermomètres à viande et à bonbons).
Papier paraffiné	Utilisez-le comme protection pour éviter les éclaboussures et retenir l'humidité.

## Matières à éviter dans le four à micro-ondes

Ustensiles	Remarques
Contenant en aluminium	Peut causer des arcs électriques. Transférez les aliments dans un plat adapté pour le micro-ondes.
Carton alimentaire avec poignée en métal	Peut causer des arcs électriques. Transférez les aliments dans un plat adapté pour le micro-ondes.
Ustensiles en métal ou à garniture métallique	Le métal protège les aliments de l'énergie micro-ondes. Les garnitures métalliques peuvent causer des arcs électriques.
Attaches en métal	Risque de formation d'arcs électriques et d'incendie dans le four.
Sacs en papier	Peut causer un incendie dans le four.
Mousse plastique	La mousse plastique peut fondre ou contaminer le liquide à l'intérieur lorsqu'elle est exposée à des températures élevées.
Bois	Le bois se dessèche lorsqu'il est utilisé dans le four à micro-ondes et peut se fendre ou se briser.

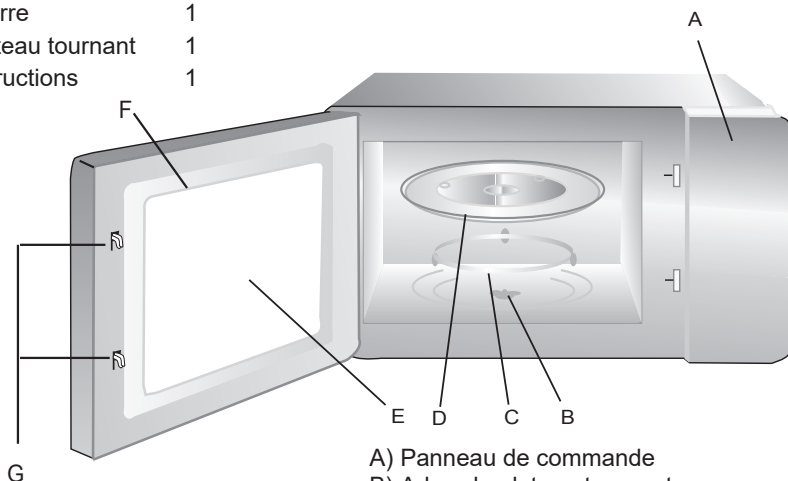
# INSTALLATION DE VOTRE FOUR

## Noms des pièces et accessoires du four

Enlevez le four et tous les matériaux de la brique carton et de la cavité du four.

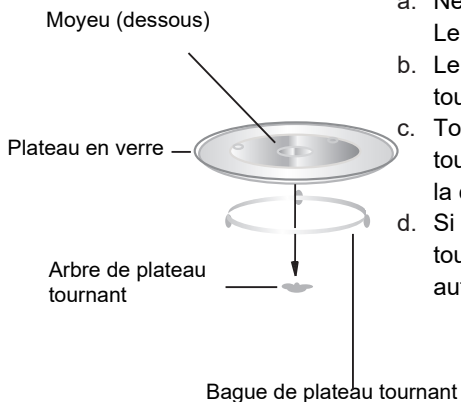
Votre four est livré avec les accessoires suivants :

Plateau en verre	1
Bague de plateau tournant	1
Manuel d'instructions	1



- A) Panneau de commande
- B) Arbre de plateau tournant
- C) Bague de plateau tournant
- D) Plateau en verre
- E) Fenêtre d'observation
- F) Assemblage de la porte
- G) Système de verrouillage de sécurité

## Installation du plateau tournant



- a. Ne placez jamais le plateau en verre à l'envers. Le plateau en verre ne doit jamais être bloqué.
- b. Le plateau en verre et le plateau tournant doivent toujours être utilisés pendant la cuisson.
- c. Toute nourriture et tout contenant d'aliments sont toujours placés sur le plateau en verre pour la cuisson.
- d. Si le plateau en verre ou la bague de plateau tournant se fend ou se brise, contactez le SAV autorisé le plus proche.

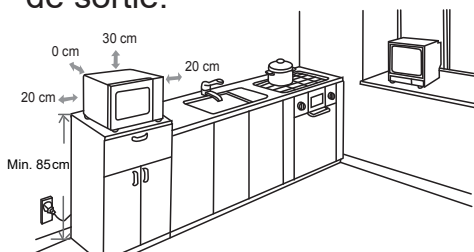
## Installation sur le plan de travail

Retirez tout le matériel d'emballage et tous les accessoires. Examinez le four à la recherche de dommages tels que des bosses ou une porte cassée. N'installez pas le four s'il est endommagé.

Meuble : Retirez tout film protecteur présent sur la surface du meuble du four à micro-ondes. Ne retirez pas le couvercle en mica marron clair qui est fixé à la cavité du four pour protéger le magnétron.

## Installation

1. sélectionnez une surface plane qui offre suffisamment d'espace ouvert pour les ouvertures d'entrée et/ou de sortie.



(1) La hauteur d'installation minimale est de 85 cm.

(2) La surface arrière de l'appareil doit être placée contre un mur.

Laissez un espace minimal de 30 cm au-dessus du four ; un espace minimal de 20 cm est nécessaire entre le four et toute paroi adjacente.

(3) Ne retirez pas les pieds du bas du four.

(4) Le blocage des ouvertures d'entrée et/ou de sortie peut endommager le four.

(5) Placez le four le plus loin possible de la radio et de la télévision. Le fonctionnement du four à micro-ondes peut causer des interférences à la réception de votre radio ou de votre téléviseur.

2. Branchez votre four sur une prise de courant standard. Assurez-vous que la tension et la fréquence sont les mêmes que celles indiquées sur l'étiquette.

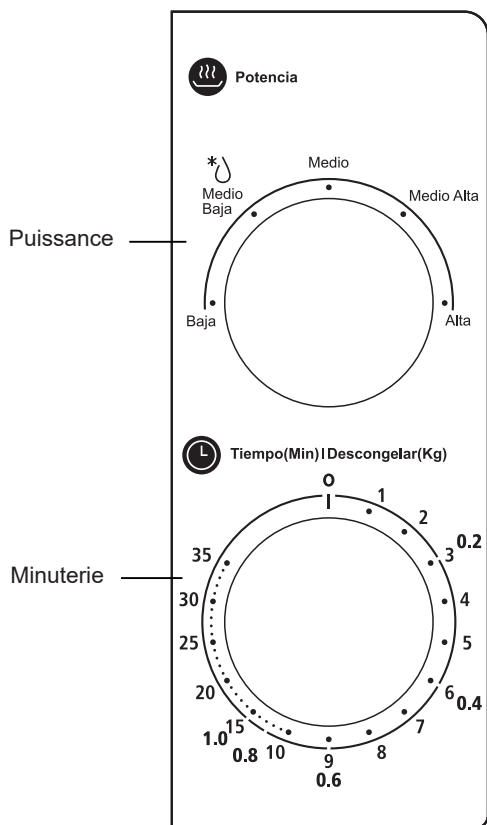
**AVERTISSEMENT :**  
N'installez pas le four au-dessus d'une table de cuisson ou d'un autre appareil produisant de la chaleur. S'il est installé à proximité ou au-dessus d'une source de chaleur, le four pourrait être endommagé et la garantie serait annulée.

**La surface accessible peut être chaude pendant le fonctionnement.**



# FONCTIONNEMENT

## Mode d'emploi du panneau de commande et des fonctions



1. Pour régler la puissance de cuisson en tournant le bouton d'alimentation sur le niveau souhaité.
2. Pour régler le temps de cuisson en tournant le bouton de la minuterie sur le temps souhaité selon votre guide de cuisson.
3. Une fois la puissance et le temps réglés, le four à micro-ondes se met automatiquement en marche.
4. Une fois le temps de cuisson écoulé, l'appareil émet une sonnerie et s'arrête.
5. Si l'appareil n'est pas utilisé, réglez toujours le temps sur « 0 ».

Fonction/Puissance	Sortie	Application
Low	17% micro.	Ramollir de la crème glacée
M.Low (décongeler)	33% micro.	Potage, ramollir du beurre ou décongeler
Med	55% micro.	Ragoût, poisson
M.High	77% micro.	Riz, poisson, poulet, viande hachée
High	100% micro.	Réchauffer, lait, faire bouillir l'eau, légumes, boissons

Remarque : Lorsque vous retirez les aliments du four, assurez-vous que le four est hors tension en mettant la minuterie sur 0 (zéro). Le non-respect de cette mesure, et l'utilisation du four à micro-ondes sans nourriture, peut entraîner une surchauffe et endommager le magnétron.

# Dépannage

<b>Normal</b>	
Four à micro-ondes interférant avec la réception TV	La réception de la radio et de la télévision peut être perturbée lorsque le four à micro-ondes fonctionne. C'est similaire à l'interférence des petits appareils électriques, comme les mélangeurs, les aspirateurs et les ventilateurs électriques. C'est tout à fait normal.
Lumière du four	Dans la cuisson au micro-ondes à faible puissance, la lumière du four peut s'assombrir. C'est tout à fait normal.
La vapeur s'accumule sur la porte, l'air chaud s'échappe par les événements.	En cuisson, de la vapeur peut s'échapper des aliments. Elle sortira principalement par les événements d'aération. Mais un peu de vapeur peut s'accumuler sur un endroit frais comme la porte du four. C'est tout à fait normal.
Le four a démarré accidentellement sans nourriture.	Il est interdit de faire fonctionner l'appareil sans nourriture à l'intérieur. C'est très dangereux.

<b>Problème</b>	<b>Cause possible</b>	<b>Solution</b>
Le four ne démarre pas.	(1)Le cordon d'alimentation n'est pas bien branché.	Débranchez-le. Puis rebranchez après 10 secondes.
	(2)Le fonctionnement des fusibles ou des disjoncteurs fonctionne.	Remplacez le fusible ou réinitialiser le disjoncteur (réparé par du personnel professionnel de notre société)
	(3)Problème avec la prise de courant.	Testez la prise avec d'autres appareils électriques.
Le four ne chauffe pas.	(4)Porte mal fermée.	Fermez bien la porte.



Cet appareil est étiqueté conformément à la Directive Européenne 2012/19/UE relative aux déchets d'équipements électriques et électroniques 2013 concernant les appareils électriques et électroniques (DEEE). Les DEEE contiennent à la fois des substances polluantes (pouvant avoir un effet négatif sur l'environnement) et des éléments de base (pouvant être réutilisés). Il est important que les DEEE fassent l'objet de traitements spécifiques pour enlever et mettre au rebut les polluants et récupérer tous les matériaux. Chaque personne peut jouer un rôle important en s'assurant que les DEEE ne deviennent pas un problème environnemental ; il est essentiel de suivre quelques règles fondamentales :

- les DEEE ne doivent pas être traités comme des déchets ménagers ;
- les DEEE doivent être amenés sur des sites de collecte spéciaux (déchetteries) gérés par la Mairie ou une entreprise agréée.

Dans de nombreux pays, les collectes chez les particuliers peuvent être disponibles pour les grands DEEE. Lors de l'achat d'un nouvel appareil, l'ancien peut être retourné au vendeur qui doit l'accepter gratuitement sous forme d'échange, à condition que l'appareil soit d'un type équivalent et qu'il possède les mêmes fonctions que l'appareil acheté.



# HYUNDAI

Forno Micro-ondas

## MANUAL DE INSTRUÇÕES

MODELO: HMW2701/  
HMW2700N

**Leia cuidadosamente estas instruções antes de utilizar o seu forno micro-ondas e fazer uma manutenção cuidadosa do mesmo.**

Se seguir as instruções, o seu forno irá dar-lhe muitos anos de bom serviço.

**GUARDE ESTAS INSTRUÇÕES CUIDADOSAMENTE**



# PRECAUÇÕES PARA EVITAR UMA POSSÍVEL EXPOSIÇÃO A ENERGIA EXCESSIVA DOS MICRO-ONDAS

(a) Não tente operar este forno com a porta aberta, pois isso pode resultar em exposição prejudicial à energia das micro-ondas. É importante não quebrar nem violar os bloqueios de segurança.

(b) Não coloque nenhum objeto entre a parte frontal do forno e a porta, nem deixe que sujidade ou resíduos de limpeza se acumulem em superfícies de vedação.

(c) AVISO: Se a porta ou os vedantes da porta estiverem danificados, o forno não deve ser operado até ter sido reparado por uma pessoa competente.

## ADENDA

Se o aparelho não for mantido num bom estado de limpeza, a sua superfície poderá ser degradada e afetar a vida útil do aparelho e provocar uma situação perigosa.

## Especificações

Modelo:	HMW2701/ HMW2700N
Tensão Nominal:	230V~ 50Hz
Potência nominal de entrada (Micro-ondas):	1050 W
Potência nominal de saída (Micro-ondas):	700 W

# **AVISO DE INSTRUÇÕES DE SEGURANÇA IMPORTANTES**

Para reduzir o risco de incêndio, choque elétrico, ferimentos a pessoas ou exposição a energia excessiva do forno de micro-ondas ao usar o seu aparelho, siga as precauções básicas, incluindo as seguintes:

1. Leia e siga as instruções específicas: “PRECAUÇÕES PARA EVITAR UMA POSSÍVEL EXPOSIÇÃO A ENERGIA EXCESSIVA DOS MICRO-ONDAS”.
2. Este aparelho pode ser utilizado por crianças de idade igual ou superior a 8 anos e por pessoas com capacidades físicas, sensoriais ou mentais reduzidas ou falta de experiência e conhecimento, caso lhes tenha sido fornecida supervisão ou instruções relativas à utilização do aparelho de forma segura e desde que compreendam os perigos envolvidos. As crianças não devem brincar com o aparelho. A limpeza e manutenção pelo utilizador não deve ser realizada por crianças sem supervisão.
3. Mantenha o aparelho e o cabo fora do alcance de crianças com menos de 8 anos.
4. Se o cabo de alimentação estiver danificado, tem de ser substituído pelo fabricante, pelo agente de serviço ou por pessoas igualmente qualificadas de forma a evitar o perigo.
5. AVISO: Certifique-se de que o aparelho está desligado antes de substituir a lâmpada, para evitar a possibilidade de choques elétricos.
6. AVISO: É perigoso para qualquer pessoa que não seja uma pessoa competente efetuar qualquer operação de serviço ou reparação que envolva a remoção de uma

tampa que ofereça proteção contra exposição à energia de micro-ondas.

7. AVISO: Os líquidos e outros alimentos não devem ser aquecidos em recipientes fechados, uma vez que são suscetíveis de explodir.
8. Ao aquecer os alimentos em recipientes de plástico ou de papel, fique atento ao forno devido à possibilidade de ignição.
9. Use apenas utensílios adequados para utilização em fornos micro-ondas.
10. Se estiver a sair fumo, desligue ou desconecte o aparelho e mantenha a porta fechada para abafar qualquer chama.
11. O aquecimento de bebidas no micro-ondas pode resultar em ebulição eruptiva tardia, portanto, deve ter-se cuidado ao manusear o recipiente.
12. O conteúdo dos biberões e da comida para bebé em frascos deve ser mexido ou abanado, e a sua temperatura deve ser verificada antes do consumo de forma a evitar queimaduras.
13. Os ovos com casca e ovos cozidos inteiros não devem ser aquecidos em fornos micro-ondas porque podem explodir, mesmo depois de o aquecimento no micro-ondas ter terminado.
14. O forno deve ser limpo regularmente e quaisquer depósitos de alimentos removidos.
15. A falta de manutenção do forno numa condição limpa pode provocar uma deterioração da superfície suscetível de afetar negativamente a vida útil do aparelho e eventualmente resultar numa situação perigosa.
16. Este aparelho não pode ser instalado atrás de uma porta decorativa de forma a evitar sobreaquecimento. (Isto não se aplica a aparelhos com porta decorativa.)

17. Utilize apenas a sonda de temperatura recomendada para este forno. (para fornos fornecidos com uma instalação para utilizar uma sonda de sensor de temperatura.)
18. O forno micro-ondas não deve ser colocado num armário, a menos que tenha sido testado num armário.
19. O forno micro-ondas tem de ser operado com a porta decorativa aberta. (para fornos com porta decorativa.)
20. Este aparelho destina-se a ser utilizado em meio doméstico e aplicações semelhantes.
21. O forno micro-ondas destina-se a aquecer alimentos e bebidas. Secar alimentos, peças de roupa e aquecer almofadas térmicas, chinelos, esponjas, panos húmidos e similares pode causar riscos de lesão, ignição ou incêndio.
22. Não é permitido utilizar recipientes metálicos para alimentos e bebidas no micro-ondas.
23. O aparelho não deve ser limpo com um aparelho de limpeza a vapor.
24. O aparelho destina-se a ser utilizado autonomamente.
25. A face traseira dos aparelhos deve ser colocada contra uma parede.

**LEIA ATENTAMENTE E GUARDE PARA  
CONSULTA FUTURA**

# Para reduzir o risco de lesão é necessário ligar à terra

## PERIGO

Risco de choque elétrico  
Tocar em alguns dos componentes internos pode provocar lesão grave ou morte. Não desmontar este aparelho.

## AVISO

Risco de choque elétrico  
Uma utilização inadequada da ligação à terra pode resultar em choque elétrico. Não ligue a uma tomada até que o aparelho esteja instalado e ligado à terra.

Este aparelho tem estar ligado à terra. No caso de um curto-circuito elétrico, a ligação à terra reduz o risco de choque elétrico, fornecendo um fio de escape para a corrente elétrica. Este aparelho está equipado com um cabo que possui um fio de terra com uma tomada de ligação a terra. A ficha deve ser ligada a uma tomada corretamente instalada e ligada à terra. Consulte um eletricitista qualificado ou técnico se as instruções de

ligação à terra não estiverem completamente compreendidas ou se existirem dúvidas sobre se o aparelho está corretamente ligado à terra. Se for necessário utilizar um cabo de extensão, utilize apenas um cabo de extensão de 3 fios.

1. É fornecido um curto cabo de alimentação para reduzir os riscos resultantes de se enredar ou tropeçar num cabo comprido.
2. Se for utilizado um conjunto de cabos ou cabo de extensão:
  - 1) A classificação elétrica marcada do conjunto de cabo ou extensão deve ser igual ou superior à classificação elétrica do aparelho.
  - 2) O cabo de extensão deve ter um fio de terra de 3 fios.
  - 3) O cabo comprido deve ser disposto de forma a não ficar atravessado sobre a bancada ou tampo de mesa onde possa ser puxado por crianças ou onde alguém possa tropeçar acidentalmente.

## LIMPEZA

Certifique-se de desligar o aparelho da fonte de alimentação.

1. Limpe a cavidade do forno depois de usar com um pano ligeiramente húmido.
2. Limpe os acessórios da maneira habitual em água e sabão.
3. A estrutura da porta e o vedante e as partes adjacentes devem ser limpos cuidadosamente com um pano húmido quando estiverem sujos.
4. Não use produtos de limpeza abrasivos ou raspadores afiados de metal para limpar o vidro da porta do forno, uma vez que podem arranhar a superfície, o que pode fazer estalar o vidro.
5. Dica de limpeza---Para uma limpeza mais fácil das paredes da cavidade nas quais os alimentos cozidos podem tocar: Coloque meio limão numa tigela, adicione 300 ml de água e aqueça com a potência do micro-ondas a 100% durante 10 minutos. Limpe o forno com um pano macio e seco.

## UTENSÍLIOS CUIDADO

### Perigo de lesão

É perigoso para qualquer pessoa que não seja uma pessoa competente efetuar qualquer operação de serviço ou reparação que envolva a remoção de uma tampa que ofereça proteção contra exposição à energia de micro-ondas.

Veja as instruções em "Materiais que pode usar no forno micro-ondas ou a evitar no forno a micro-ondas." Pode haver alguns utensílios não-metálicos que não são seguros de usar em micro-ondas. Em caso de dúvida, pode testar o utensílio em questão após o procedimento abaixo.

Teste do utensílio:

1. Encha um recipiente seguro para micro-ondas com 1 chávena de água fria (250 ml) juntamente com o utensílio em questão.
2. Cozinhe na potência máxima durante 1 minuto.
3. Sinta cuidadosamente o utensílio. Se o utensílio vazio estiver quente, não o utilize para cozinhar no micro-ondas.
4. Não exceda 1 minuto de tempo de cozedura.

## Materiais que pode usar no forno micro-ondas

Utensílios	Comentários
Prato para micro-ondas	Siga as instruções do fabricante. O fundo do prato deve ter pelo menos 3/16 polegadas (5 mm) acima do prato giratório. O uso incorreto pode fazer com que o prato giratório quebre.
Loiça	Apenas para micro-ondas. Siga as instruções do fabricante. Não use pratos rachados ou com falhas.
Taças de vidro	Remova sempre a tampa. Utilize apenas para aquecer alimentos. A maioria dos frascos de vidro não é resistente ao calor e pode quebrar.
Artigos de vidro	Apenas artigos de vidro para forno resistentes ao calor. Certifique-se de que não há qualquer decoração de metal. Não use pratos rachados ou com falhas.
Sacos para cozinhar no forno	Siga as instruções do fabricante. Não feche com atilho de metal. Faça fendas para permitir que o vapor se liberte.
Pratos e copos de papel	Utilizar apenas para cozinhar/aquecer durante pouco tempo. Não deixe o forno sem vigilância durante a cozedura.
Toalhas de papel	Use para cobrir alimentos para reaquecer e absorver a gordura. Use com supervisão apenas para cozinhar a curto prazo.
Papel manteiga	Use como cobertura para evitar salpicar ou como uma película para vapor.
Plástico	Apenas para micro-ondas. Siga as instruções do fabricante. Deve ter o rótulo "Seguro para Micro-ondas". Alguns recipientes de plástico amolecem, à medida que a comida aquece. "Sacos para cozer" e sacos de plástico estanques devem ser cortados, perfurados ou ventilados consoante indicado na embalagem.
Película de plástico	Apenas para micro-ondas. Use para cobrir alimentos durante a cozedura para reter a humidade. Não permita que a película de plástico toque na comida.
Termómetros	Apenas seguro para micro-ondas (termómetros para carne e doces).
Papel de cera	Use como cobertura para evitar salpicar ou reter humidade.

## Materiais a ser evitados no forno a micro-ondas

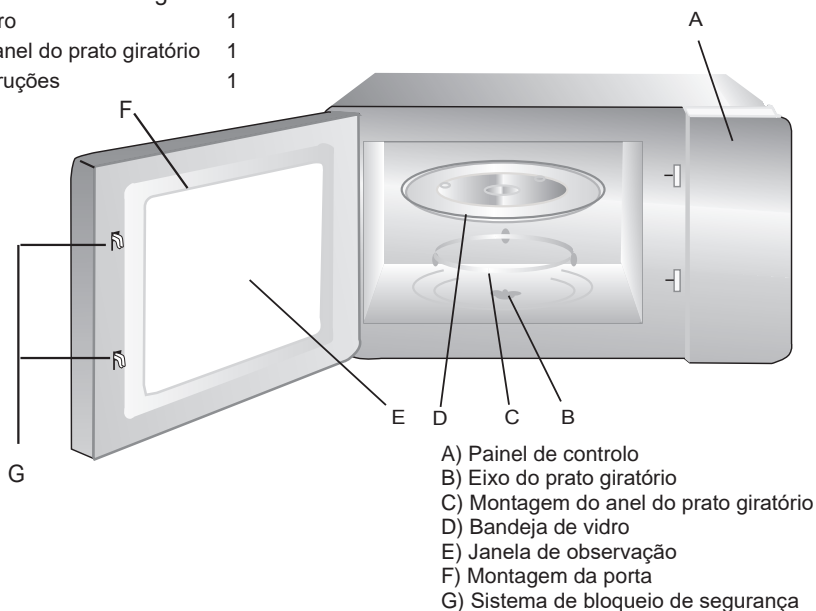
Utensílios	Comentários
Bandeja de alumínio	Pode causar arco. Transfira os alimentos para um prato seguro para micro-ondas.
Caixa de cartão com pega de metal para alimentos	Pode causar arco. Transfira os alimentos para um prato seguro para micro-ondas.
Utensílios de metal ou com decoração de metal	O metal blindar os alimentos da energia do micro-ondas. Uma decoração e metal pode causar arco.
Atilhos de metal	Podem provocar arco e pode causar um incêndio no forno.
Sacos de papel	Pode provocar um incêndio no forno.
Espuma de plástico	A espuma de plástico pode derreter ou contaminar o líquido no interior quando exposto a altas temperaturas.
Madeira	A madeira secará quando utilizada no forno micro-ondas e pode rachar ou quebrar.

# CONFIGURAR O SEU FORNO

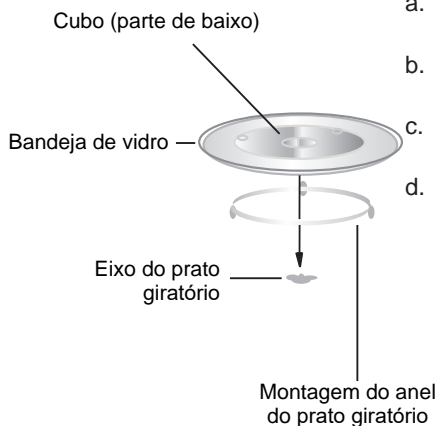
## Nomes de peças de forno e acessórios

Remova o forno e todos os materiais da caixa de cartão e da cavidade do forno. O seu forno é fornecido com os seguintes acessórios:

Bandeja de vidro	1
Montagem do anel do prato giratório	1
Manual de Instruções	1



## Instalação do prato giratório



- a. Nunca coloque a bandeja de vidro voltada para baixo. A bandeja de vidro nunca deve estar restringida.
- b. O conjunto da bandeja de vidro e prato giratório devem ser sempre utilizados durante a cozedura.
- c. Todos os alimentos e recipientes de alimentos são sempre colocados na bandeja de vidro para cozinhar.
- d. Se bandeja de vidro ou anel do prato giratório se rachar ou quebrar, entre em contato com o seu centro de serviço autorizado mais próximo.



## Instalação de bancada

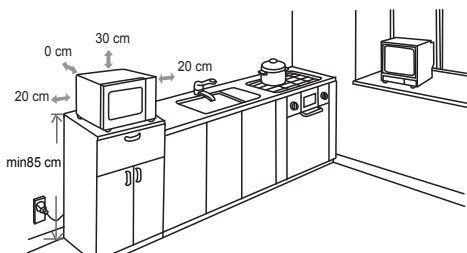
Remova todo o material da embalagem e acessórios. Examine o forno quanto a danos como amolgadelas ou porta quebrada. Não instale se o forno estiver danificado.

Armário: Remova qualquer película protetora encontrada na superfície do armário do forno micro-ondas.

Não remova a cobertura castanha leve Mica que está ligada ao forno de cavidade para proteger o magnetron.

## Instalação

1. Selecione uma superfície nivelada que ofereça espaço livre suficiente para as ventilações de entrada e/ou saída.



(1) A altura mínima de instalação é de 85 cm.

(2) A face traseira do aparelho deve ser colocada contra uma parede.

Deixe uma folga mínima de 30 cm acima do forno, é necessária uma folga mínima de 20 cm entre o forno e quaisquer paredes adjacentes.

(3) Não retire as pernas da parte de baixo do forno.

(4) Bloquear as aberturas de entrada e/ou saída pode danificar o forno.

(5) Coloque o forno o mais longe possível de rádios e TV. A operação do forno micro-ondas pode causar interferência no rádio ou na recepção da TV.

2. Ligue o forno a uma tomada doméstica padrão. Certifique-se de que a tensão e a frequência são iguais à tensão e à frequência na etiqueta da classificação.

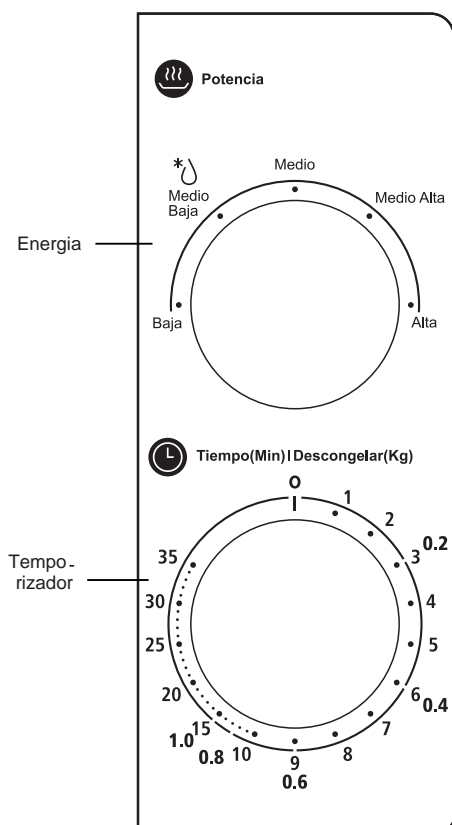
**AVISO:** Não instale o forno sobre uma placa de cozinha nem outro aparelho produtor de calor. Se instalado perto ou sobre uma fonte de calor, o forno pode ser danificado e a garantia seria anula.

**A superfície acessível pode estar quente durante o funcionamento**



# FUNCIONAMENTO

## Instruções de Operação do Painel de Controlo e Funcionalidades



1. Para regular a potência de cozedura, rodando o botão de potência para o nível desejado.
2. Para definir o tempo de confeção, rodando o botão do temporizador para o tempo desejado de acordo com o seu guia de cozinha.
3. O forno micro-ondas inicia automaticamente a cozedura após o nível de potência e o tempo serem definidos.
4. Após terminado o tempo de cozinhado, a unidade emite um som tipo "Dong" para parar.
5. Se a unidade não estiver a ser usada, ajuste sempre o tempo para "0".

Função/Potência	Saída	Aplicação
Low	17% micro.	Amolecer gelado
Med. Low (Descongelar)	33% micro.	Aquecer sopa, amolecer manteiga ou descongelar
Med.	55% micro.	Ensopado, peixe
Med. High	77% micro.	Arroz, peixe, frango, carne moída
High	100% micro.	Reaquecer, leite, ferver água, legumes, bebidas

**Aviso:** Ao retirar os alimentos do forno, certifique-se de que a potência do forno é desligada rodando o interruptor do temporizador para 0 (zero).

Se não o fizer, e se operar o forno micro-ondas sem comida dentro, isto pode provocar sobreaquecimento e danos no magnetron.

# Resolução de problemas

Normal	
Forno micro-ondas a interferir com a receção de TV	A receção de rádio e TV pode ser interferida durante o funcionamento do forno de micro-ondas. É semelhante à interferência de pequenos aparelhos elétricos, como misturador, aspirador de pó e ventilador elétrico. Isto é normal.
Luz do forno fraca	Quando se cozinha no micro-ondas a baixa potência, a luz do forno pode tornar-se fraca. Isto é normal.
Vapor a acumular na porta, ar quente fora das aberturas	Na cozinha, o vapor pode sair dos alimentos. A maioria sairá das aberturas. Mas algum pode acumular-se no num local fresco como a porta do forno. Isto é normal.
O forno ligou-se acidentalmente sem comida dentro.	É proibido pôr o aparelho a funcionar sem qualquer alimento dentro. É muito perigoso.

Problema	Causa possível	Solução
Não se consegue ligar o forno.	(1) Cabo de alimentação mal conectado.	Desligue. Em seguida, volte a ligar após 10 segundos.
	(2) Fusível fundido ou curto-circuito.	Substituir o fusível ou repor o curto-circuito (reparado por pessoal profissional da nossa empresa)
	(3) Problema com a tomada.	Saída de teste com outros aparelhos elétricos.
O forno não aquece.	(4) A porta não está bem fechada.	Feche bem a porta.



Este aparelho está rotulado em conformidade com a Diretiva Europeia 2012/19/UE sobre Resíduos de Equipamentos Elétricos e Eletrónicos 2013 no que respeita aos aparelhos eléctricos e electrónicos (REEE). REEE inclui substâncias poluentes (que podem ter um efeito nocivo no ambiente) e elementos base (que podem ser reutilizados). É importante que os REEE sejam submetidos a tratamentos específicos para remover e eliminar corretamente os poluentes e recuperar todos os materiais. Os indivíduos têm um papel importante em assegurar que os REEE não se tornam num problema ambiental; é essencial seguir algumas regras básicas:

- os REEE não devem ser tratados como resíduos domésticos;
- os REEE devem ser entregues em áreas de recolha dedicadas geridas pela câmara ou uma empresa registada.

Em muitos países, recolhas domésticas podem estar disponíveis para REEEs grandes. Ao comprar um novo aparelho, o antigo pode ser devolvido ao fornecedor que tem de o recolher sem qualquer custo, pontualmente, desde que o equipamento seja de um tipo equivalente e tenha as mesmas funções que o eletrodoméstico comprado.



# HYUNDAI

Importado por S.T. S.L con CIF B73737553  
Distribuido por KOREA SMART HOME, S.L con CIF B56843261 y dirección  
Av. Altos Hornos S/N. Pto. Sagunto (46520). Valencia, España.  
Licenciado por HYUNDAI CORPORATION HOLDINGS, KOREA