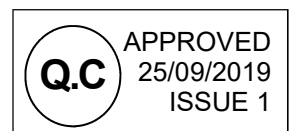
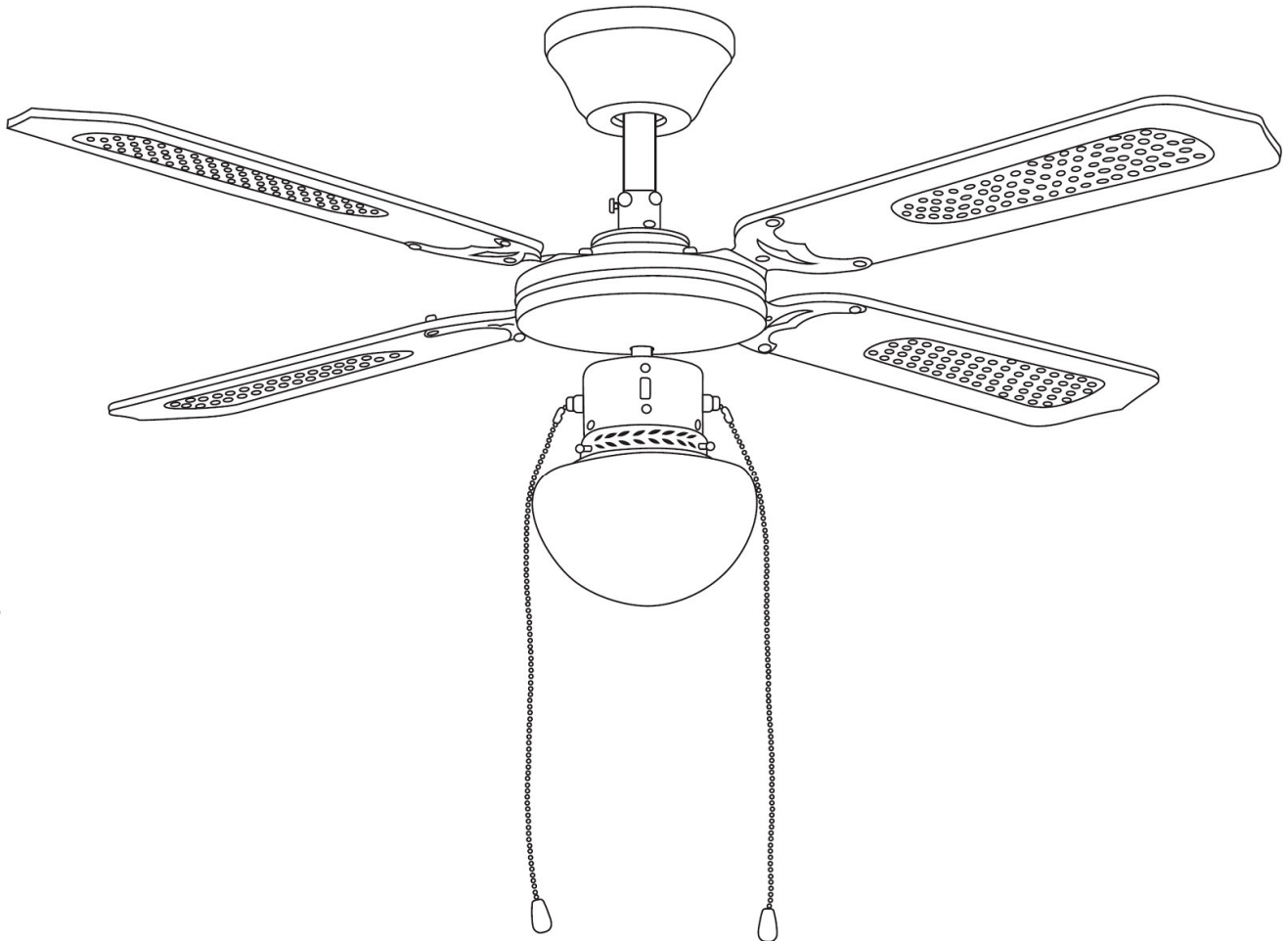


# SCHOOLHOUSE FAN SVAN SVVE 42T

Installation and User Instructions—Please Keep for Future Reference



## Contents

Content	Page	Content	Page
Safety Information and Warnings	2	Installation—Blades & Shaft	4
Cleaning, Location & Reverse Control	2	Installation—Fan Body & Light	5
Parts and Components List	3	Installation—Mounting to the ceiling & Wiring	6

# Safety Information

**IMPORTANT** – Please read these instructions fully before installation and keep for future reference

Your product is produced in conformity with all relevant safety regulations relating to electrical appliances. If in doubt about fitting this product, please consult a qualified electrician.

**IMPORTANT** -This product has been designed for non-professional, domestic use only.

**IMPORTANT** - Carefully unpack and examine the product for any damage. If you think there is a defect, **do not** use the product and contact our customer

**IMPORTANT** - Dispose of all packaging correctly and responsibly and in accordance with all local laws and regulations. Never leave packaging components within reach of children as they can be a source of danger.

**IMPORTANT** - Installation of this product must be carried out by a qualified electrician.

**IMPORTANT** – Before inserting or replacing bulb(s) ensure the power is switched off, the bulb(s) have cooled down and the fan blades have come to a complete stop.

**WARNING** – This is a Class I product and requires an earth connection. This fitting must be permanently wired into the electric system.

**WARNING** – Always shut off power to the circuit before starting installation work.

**WARNING** - Accessible parts become hot during use, young children **must** be kept away.

**WARNING** – Do not modify or alter any product before or after installation. This may render the product un-safe.

**WARNING** - This product is not intended for use by persons (including children) with reduced physical, sensory and mental capabilities, or lack of experience and knowledge, unless they have been given supervision or instruction concerning use of the product by persons responsible for their safety.

**WARNING** - Children should be supervised to ensure that they do not play with the product.

**WARNING** - Do not mount this fitting in a damp atmosphere. For example a bathroom.

**WARNING** - Do not use this fan and open gas heating appliances in the same room at the same time

**WARNING** - Ensure the mounting plate is fitted to an adequate ceiling support that can hold the weight of the moving fan.

**WARNING** - Do not insert anything into the fan blades whilst they are rotating.

**WARNING** - Do not use a dimmer switch with this fan, this can damage the dimmer and fan.

**WARNING** - Do not use this fan with any aftermarket speed control device as it could be a fire risk.

**WARNING** - Ensure the fan is switched off before changing between reverse and forward modes.

**WARNING** - Do not attempt to repair this unit yourself. All repairs must be carried out by a qualified service person.

**WARNING** - Ensure the fan is fitted a minimum of **2.3m** from the floor, to a ceiling that is a minimum of **2.6m** high & that there is at least **500mm** from the blade tip and any walls or furnishings.

## CLEANING

- Wipe with a soft dry cloth or soft brush to remove dust, do not use any abrasive cleaning materials
- Do not use water to clean the fan
- Ensure you do not apply too much pressure when cleaning the fan blades.

## LOCATION

When choosing a location for the fan, ensure there is plenty of room for the rotation of the blades and that no obstacles are likely to get in their way.

The ceiling must be a minimum of **2.6 meters ( 8.5 ft )** in height .

The distance from the fan blades and the floor should be a **Minimum of 2.3 meters ( 7.5 ft )**

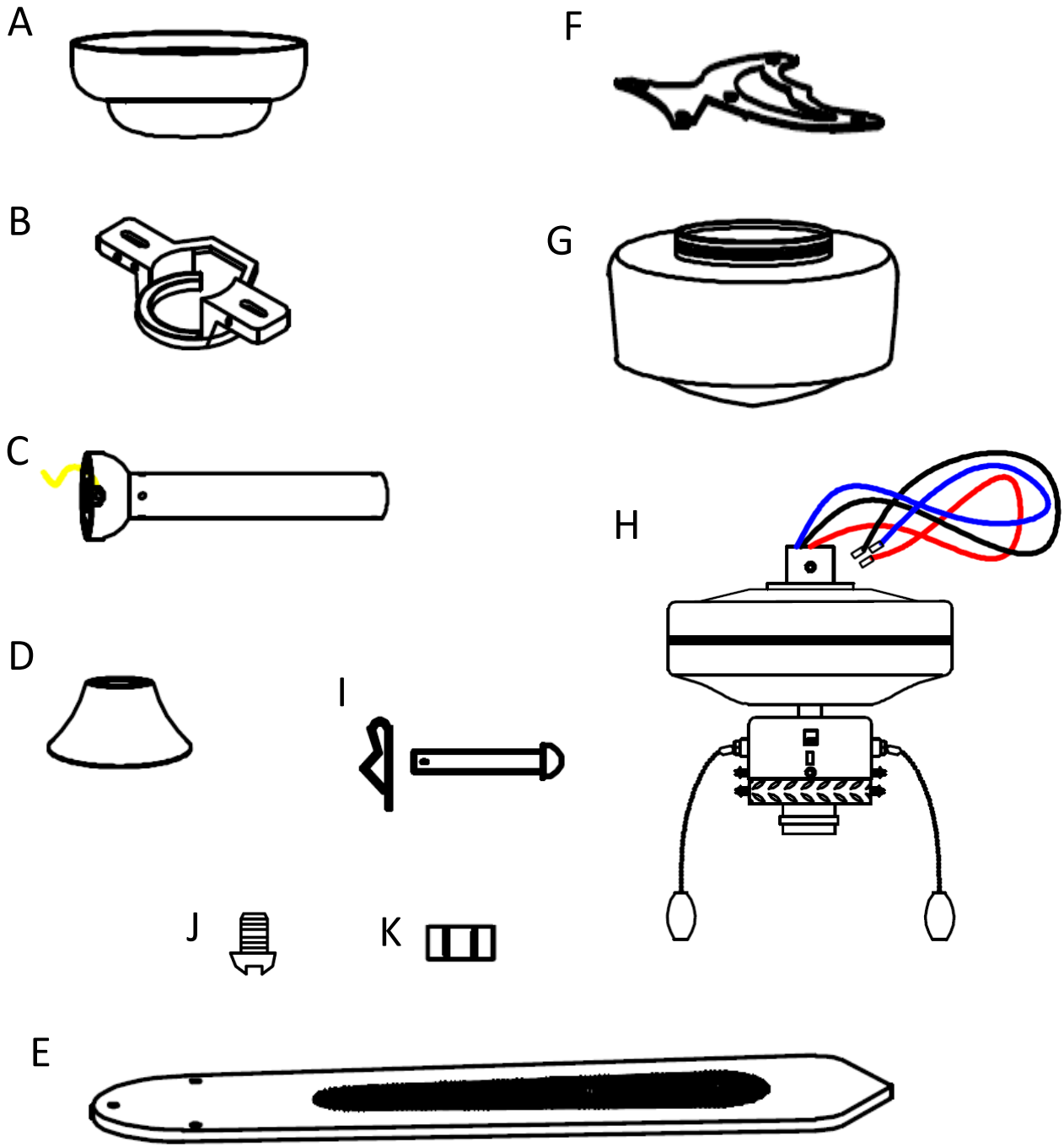
## REVERSE CONTROL

**Ensure the fan is switched off before changing the mode.**

**REVERSE** mode—Winter setting , creates an gentle updraft to force warm air from the ceiling downwards.

**FORWARD** mode—Summer setting, creates an downdraft to direct cool air downwards.

# Parts and Components List

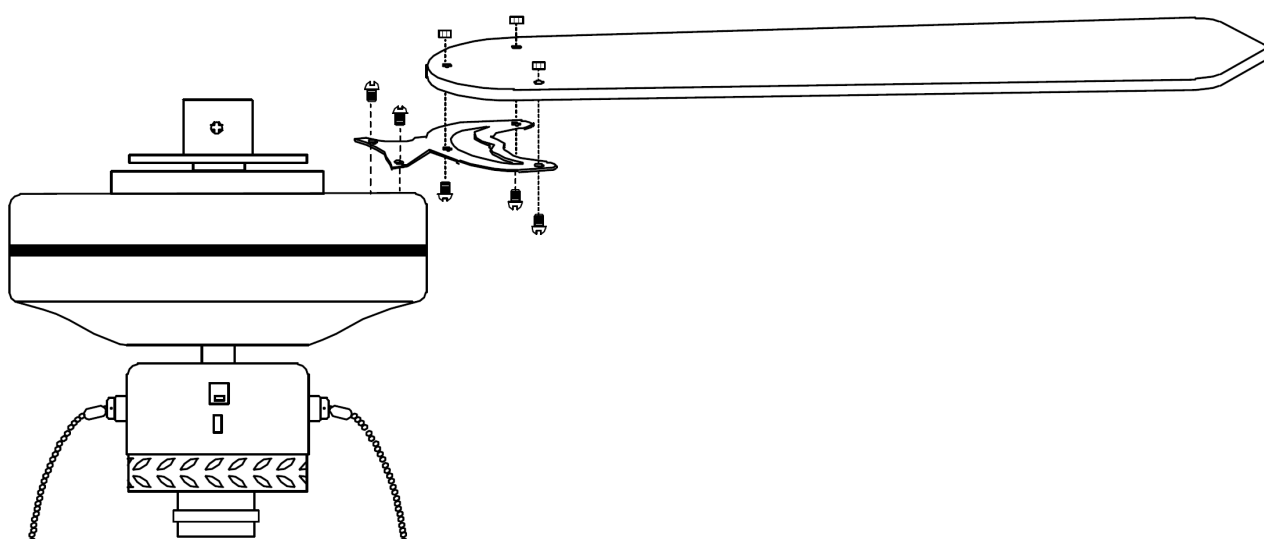


- |    |                                |    |                         |
|----|--------------------------------|----|-------------------------|
| A. | Ceiling Can x 1                | F. | Blade bracket x 4       |
| B. | Mounting Bracket & fixings x 1 | G. | Glass shade x 1         |
| C. | Shaft x 1                      | H. | Fan body x 1            |
| D. | Shaft cover x 1                | I. | Shaft pin x 1           |
| E. | Fan blades x 4                 | J. | Blade bracket bolt x 12 |
|    |                                | K. | Blade bracket nut x 12  |

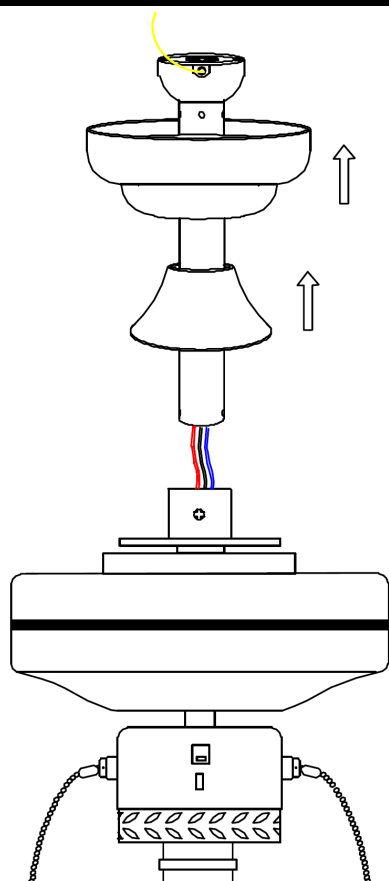
# Installation

## Fitting the blades

1. Line the blade bracket up with the holes on the fan blade, ensuring you mount the bracket to the decorative side of the blade.
2. Push the 3 blade bolts through the bracket & blade, then secure using the 3 blade nuts provided.
3. Remove the 2 motor screws that are pre-fitted to the fan body.
4. Line up the blade bracket with the holes on the fan body & secure the blade to the fan using the



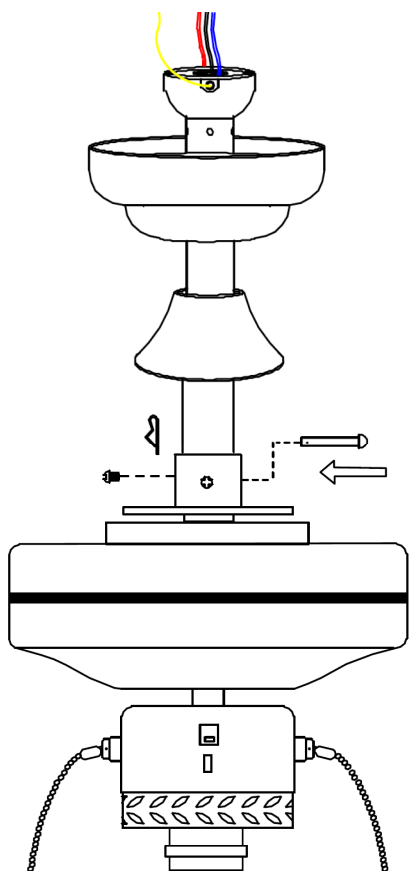
## Assembling the shaft



1. Place the ceiling can over the shaft and slide up to the top
2. Place the shaft cover over the shaft and slide half way up .
3. Pass the wires through the shaft and feed up to the top.

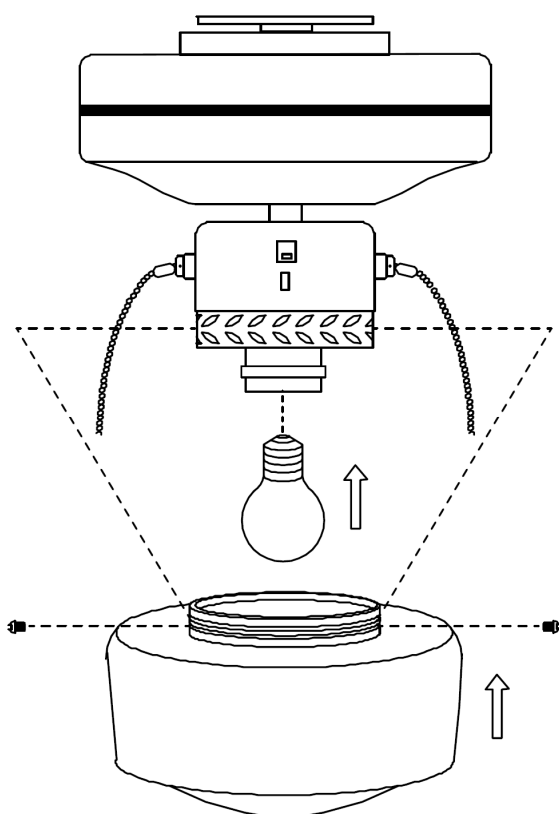
# Installation

## Securing the shaft to the fan body



1. Place the shaft down into the fan body, ensuring the holes are lined up.
2. Insert the shaft pin through the shaft & fan body, then secure in place with the push clip.
3. Tighten the 2 screws in the fan body to lock the shaft in place, ensuring the shaft is central.
4. Slide the shaft cover down to hide the shaft pin and securing screws.

## Fitting the bulb & glass shade



1. Screw in the bulb, ensuring you do not exceed the maximum wattage and bulb type stated on the lamp holder.
2. Loosen the pre-fitted shade screws from the lamp holder surround.
3. Lift the glass shade up and inside the lamp holder surround.
4. Evenly tighten the shade screws to secure the glass shade in place.

# Installation

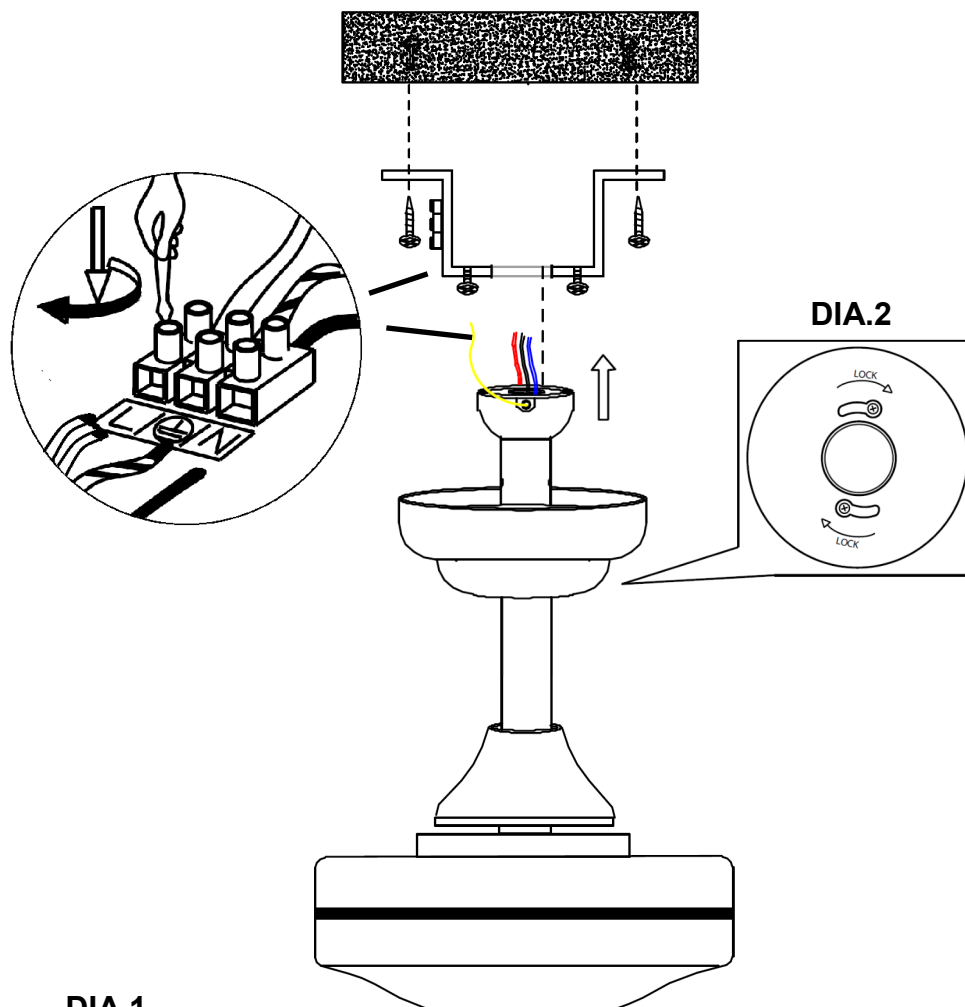
## Fitting the ceiling bracket

For normal plasterboard ceilings, ensure the bracket is secured to a ceiling joist or brace.

For concrete ceilings drill pilot holes, and secure bracket with the anchoring screws provided.

1. Use the bracket as a template to mark 2 holes on the ceiling.
2. Using the appropriate fixings, secure the bracket to the ceiling.
3. Connect the mains supply wires to the connector block, fixed to the ceiling bracket. Then connect the supply wires from the fan to the corresponding terminals on the connector block. (The Red Fan Live & Brown Light Live wires will go into the same terminal.) DIA.1
4. Lift the ceiling fan up to the ceiling bracket & slot the top hat of the shaft onto the bracket. Twist the shaft until you feel it drop & lock in place.
5. Lift the ceiling can up to the bracket and place over the screws, then turn to lock in place as shown in DIA.2.

Using the pull cords, turn on the fan motor and light to test the operation.



**DIA.1**

